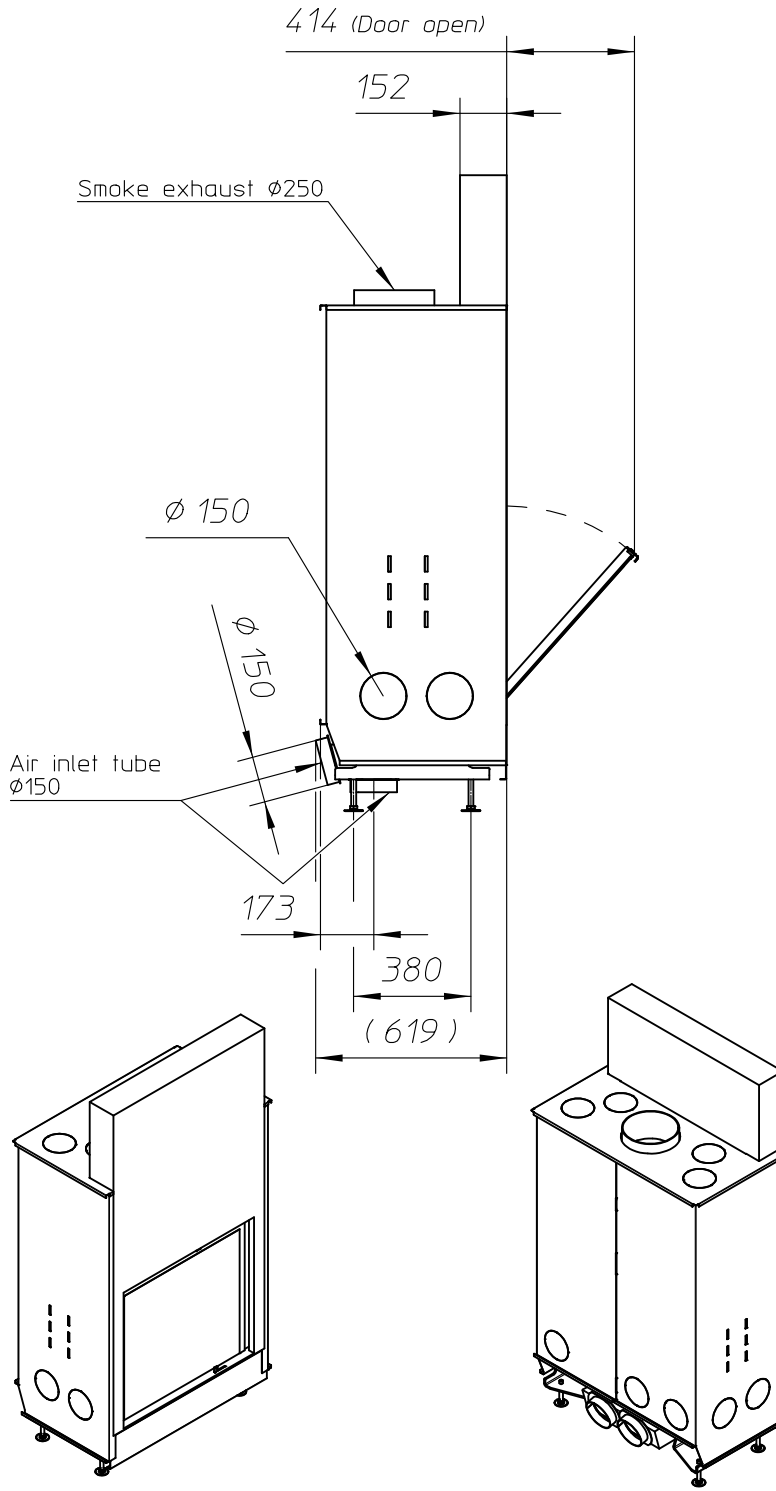
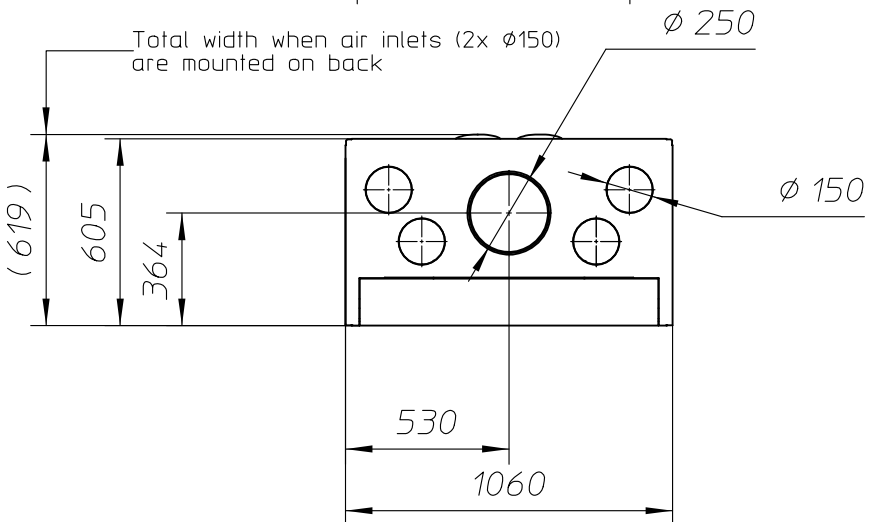
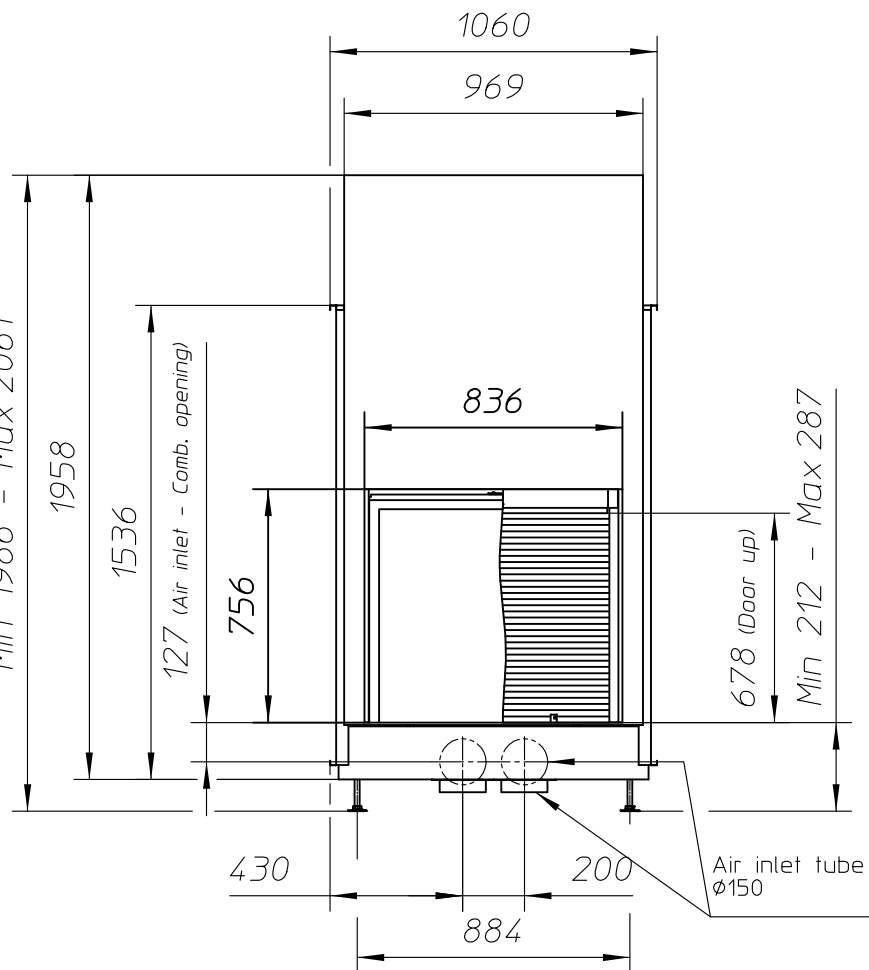


Min 1986 - Max 2061



ULTIME D Patented

metalfire

Technical Document

ULTIME D MF 800-75 WHE 1S BBQ

- Dimensions (mm)**
- combustion opening WxH: 836x756
 - external WxDxH: 1060x619x2061
 - fresh air: 2x ϕ 150
 - diameter flue: ϕ 250

- Technical Data**
- capacity: 21.5kW
 - efficiency capacity: 80.1%
 - CO (volume with 13%O₂): 0.08%
 - dust (volume with 13%O₂): 30mg/m³
 - weight: 435kg
 - Air intake to convection: minimum 720cm² (4x ϕ 150)
 - Air exhaust to convection: minimum 720cm² (4x ϕ 150)

Table: prescribed insulation thickness (mm)

	Combustible finishing material				
	A	B	C	D	E
Test report (TC = 0,14 W/mK)	102	NC	98	133	40
Metalfire recommended Promasil 1100L (TC = 0,081 W/mK)	60	NC	60	80	25
Non-combustible finishing material					
non-combustible materials (structural building items EXCLUDED e.g. load bearing walls)	0	0	0	0	0
TC = thermal conductivity NC = non-combustible					

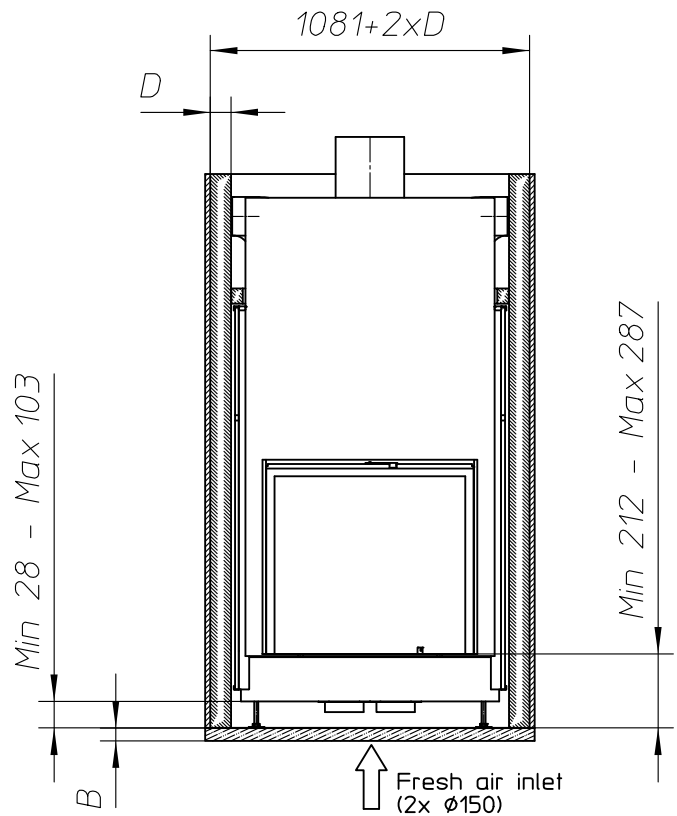
First aid and technical support:
 - support@metalfire.eu
 - +32 (0)9 261 51 90

scale 1:25 Rev. A

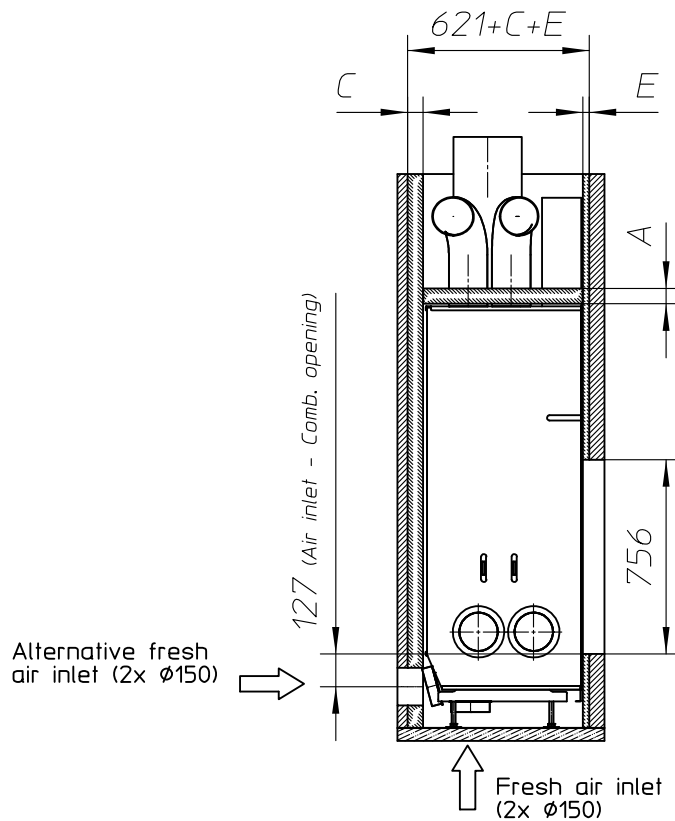
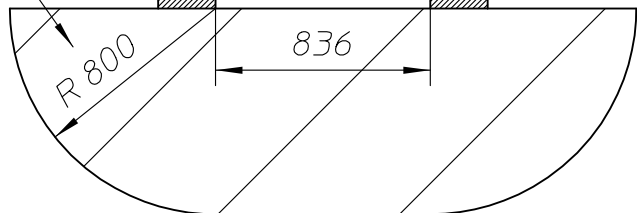
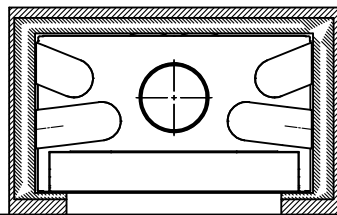
www.metalfire.eu EN 13229 CE

General dimensional tolerances up to 6mm Sheet 1/3
 Metalfire preserves the right to modify specifications without previous notice

Without finishing frame

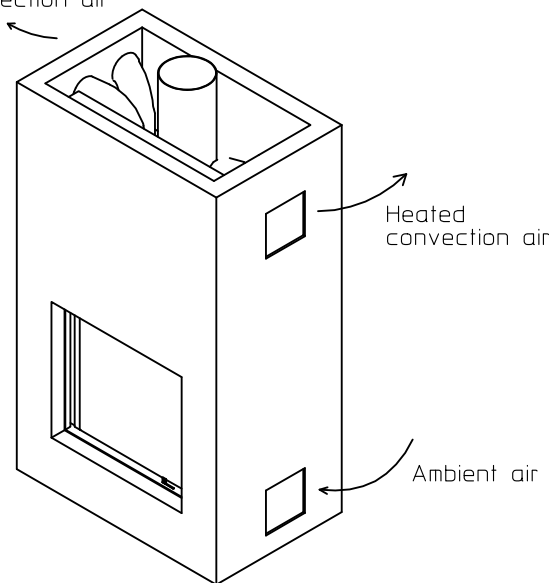


Alternative fresh air inlet (2x Ø150)



Alternative fresh air inlet (2x Ø150)

Heated convection air



ULTIME D Patented

metalfire

Technical Document

ULTIME D MF 800-75 WHE 1S BBQ

Dimensions (mm)

- combustion opening WxH: 836x756
- external WxDxH: 1060x619x2061
- fresh air: 2xØ150
- diameter flue: Ø250

Technical Data

- capacity: 21.5kW
- efficiency capacity: 80.1%
- CO (volume with 13%O₂): 0.08%
- dust (volume with 13%O₂): 30mg/m³
- weight: 435kg
- Air intake to convection: minimum 720cm²(4xØ150)
- Air exhaust to convection: minimum 720cm²(4xØ150)

Table: prescribed insulation thickness (mm)

	Combustable finishing material				
	A	B	C	D	E
Test report (TC = 0,14 W/mK)	102	NC	98	133	40
Metalfire recommended Promasil 1100L (TC = 0,081 W/mK)	60	NC	60	80	25
Non-combustable finishing material					
non-combustable materials (structural building items EXCLUDED e.g. load bearing walls)	0	0	0	0	0

TC = thermal conductivity NC = non-combustable

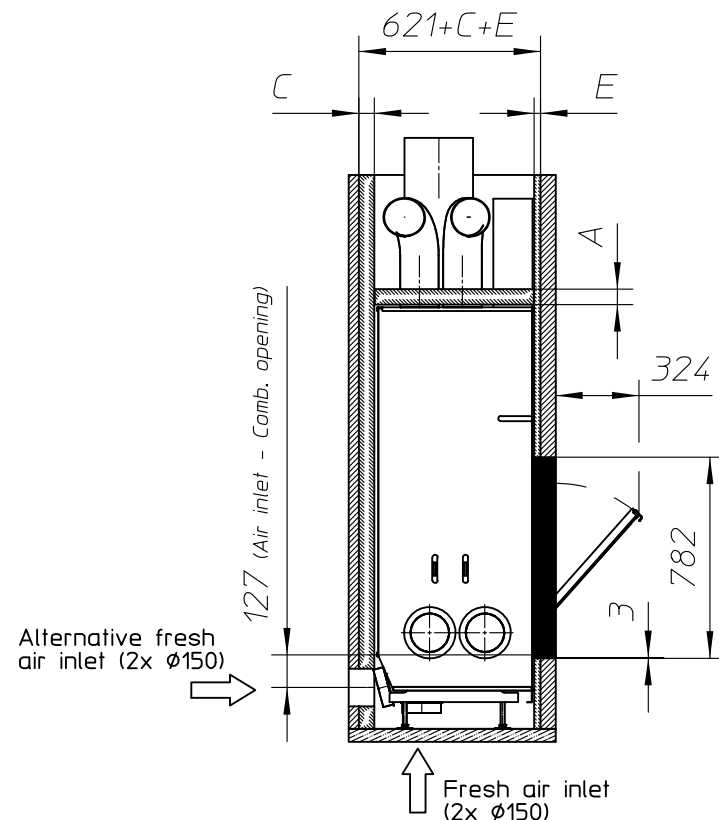
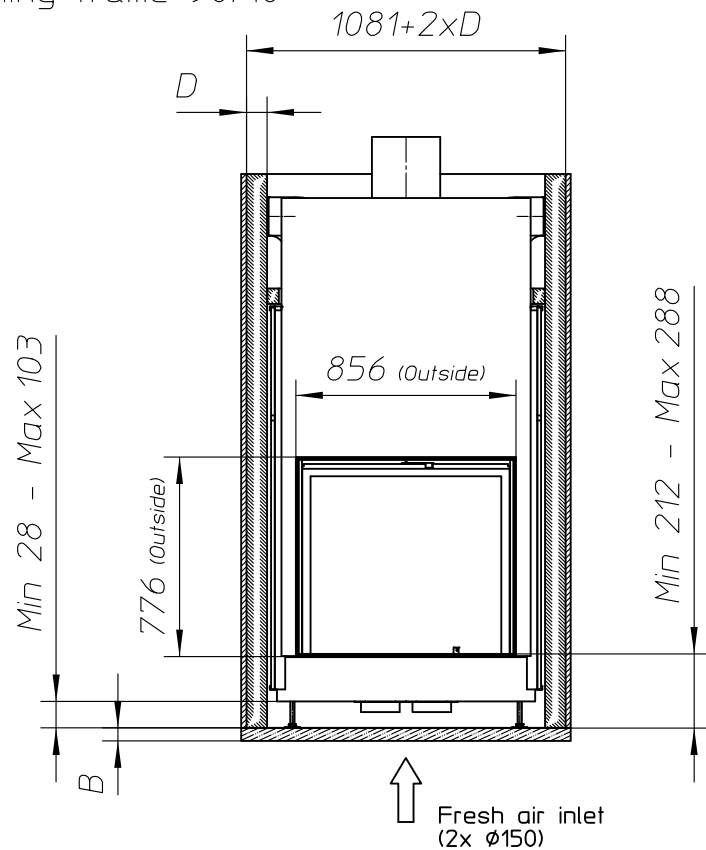
First aid and technical support:

- support@metalfire.eu
- +32 (0)9 261 51 90

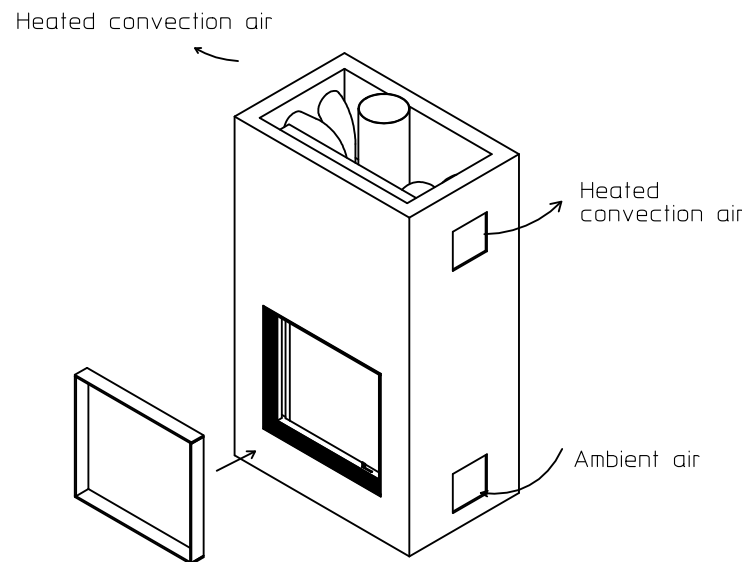
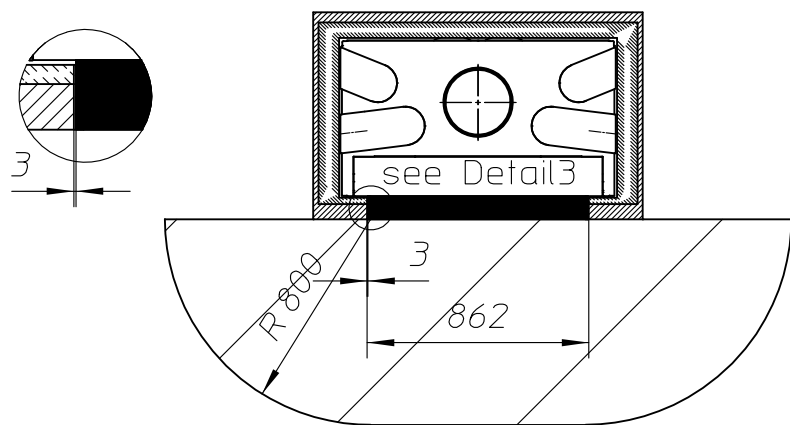
scale 1:25	Rev. A
www.metalfire.eu	EN 13229
General dimensional tolerances up to 6mm Metalfire preserves the right to modify specifications without previous notice	Sheet 2/3

- Combustable finishing material
- Non-combustable finishing material
- Insulation
- Insulation thickness => see table

With finishing frame 90/10



Detail3
Scale 1:10



ULTIME D Patented

metalfire

Technical Document

ULTIME D MF 800-75 WHE 1S BBQ

Dimensions (mm)

- combustion opening WxH: 836x756
- external WxDxH: 1060x619x2061
- fresh air: 2x $\phi 150$
- diameter flue: $\phi 250$

Technical Data

- capacity: 21.5kW
- efficiency capacity: 80.1%
- CO (volume with 13%O₂): 0.08%
- dust (volume with 13%O₂): 30mg/m³
- weight: 435kg
- Air intake to convection: minimum 720cm² (4x $\phi 150$)
- Air exhaust to convection: minimum 720cm² (4x $\phi 150$)

Table: prescribed insulation thickness (mm)

	Combustable finishing material				
	A	B	C	D	E
Test report (TC = 0,14 W/mK)	102	NC	98	133	40
Metalfire recommended Promasil 1100L (TC = 0,081 W/mK)	60	NC	60	80	25
Non-combustable finishing material					
non-combustable materials (structural building items EXCLUDED e.g. load bearing walls)	0	0	0	0	0
TC = thermal conductivity NC = non-combustable					

First aid and technical support:

- support@metalfire.eu
- +32 (0)9 261 51 90

scale 1:25

www.metalfire.eu

EN 13229

General dimensional tolerances up to 6mm
Metalfire preserves the right to modify specifications without previous notice

Rev.
A
CE
Sheet
3/3

- Combustable finishing material
- Non-combustable finishing material
- Insulation
- Insulation thickness => see table