

ULTIME D MF 800-50 WHE 2SR V20

Dimensions (mm)

- combustion opening WxHxD: 806x441x504
- external WxDxH: 868x600x1443
- fresh air: 2x \varnothing 150
- diameter flue: \varnothing 250

Technical Data

- Ecolabel: A+
- capacity: 16kW
- efficiency capacity: 82%
- CO (volume with 13%O₂): 0.061%
- dust (volume with 13%O₂): 23.6mg/Nm³
- weight: 320kg
- Air intake to convection: minimum 720cm²(4x \varnothing 150)
- Air exhaust to convection: minimum 720cm²(4x \varnothing 150)

Specifications

- inside finishing: heat-resistant black paint
- vermiculite insulation plates
- convection jacket in galvanized steel
- back and sides: ribbed cast iron
- interior finishing: ORIGINAL (ribbed cast iron)

Options

- Finishing frame

Table: prescribed insulation thickness (mm)

Combustable finishing material				
	A	B	C	D
Test report (TC = 0,14 W/mK)	25	25	25	25
Non-combustable finishing material				
non-combustable materials (structural building items EXCLUDED e.g. load bearing walls)	0	0	0	0

TC = thermal conductivity NC = non-combustable

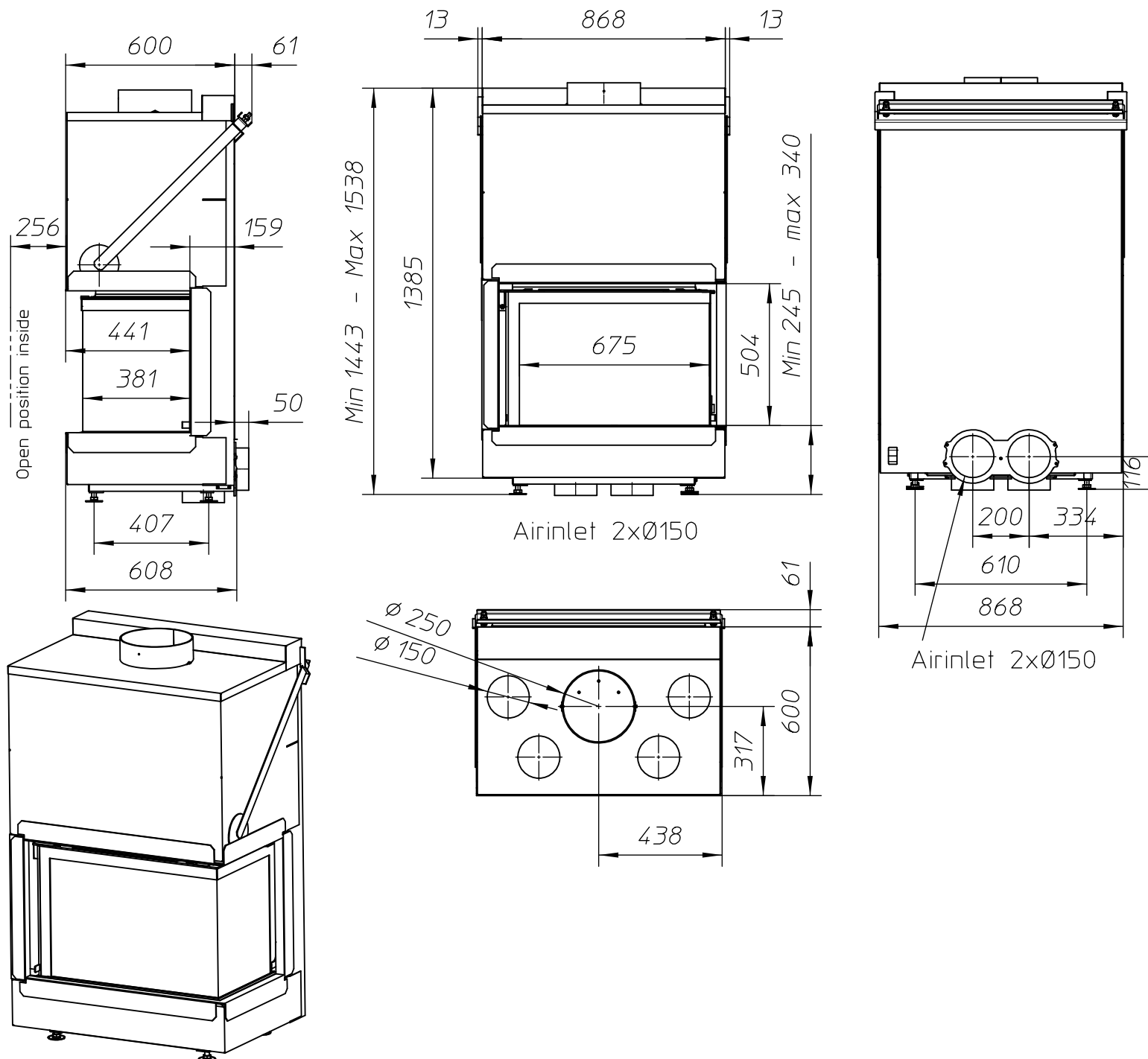
First aid and technical support:

- support@metalfire.eu
- +32 (0)9 261 50 57

scale 1:20 Rev. -1

www.metalfire.eu EN 13229 CE

General dimensional tolerances up to 6mm Sheet 1/3
Metalfire preserves the right to modify specifications without previous notice



ULTIME D Patented

metalfire

Technical Document

ULTIME D MF 800-50 WHE 2SR V20

Dimensions (mm)

- combustion opening WxHxD: 806x441x504
- external WxDxH: 868x600x1443
- fresh air: 2xø150
- diameter flue: ø250

Technical Data

- Ecolabel: A+
- capacity: 16kW
- efficiency capacity: 82%
- CO (volume with 13%O₂): 0.061%
- dust (volume with 13%O₂): 23.6mg/Nm³
- weight: 320kg
- Air intake to convection: minimum 720cm²(4xø150)
- Air exhaust to convection: minimum 720cm²(4xø150)

Specifications

- inside finishing: heat-resistant black paint
- vermiculite insulation plates
- convection jacket in galvanized steel
- back and sides: ribbed cast iron
- interior finishing: ORIGINAL (ribbed cast iron)

Options

- Finishing frame

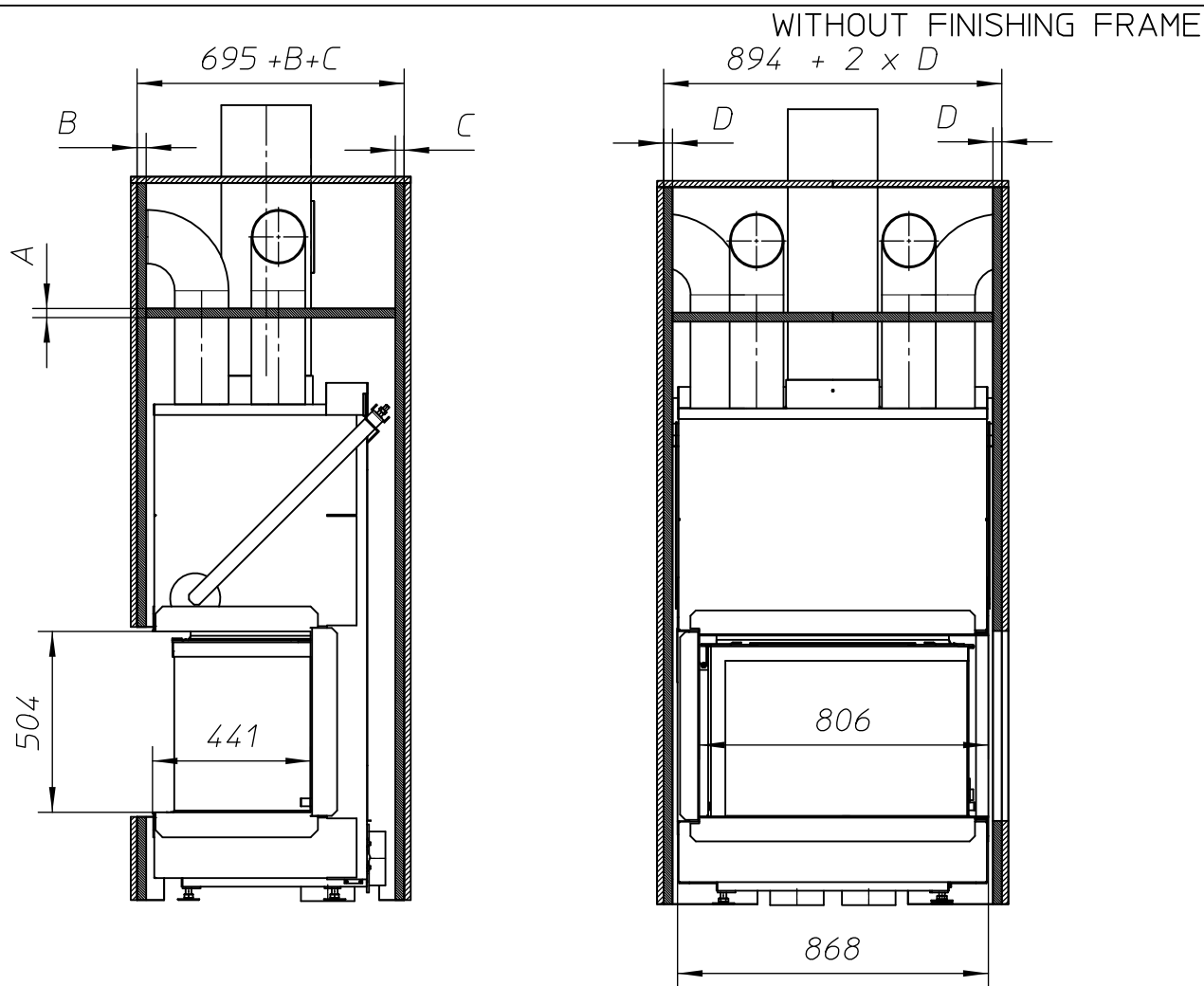
Table: prescribed insulation thickness (mm)

Combustable finishing material				
	A	B	C	D
Test report (TC = 0,14 W/mK)	25	25	25	25
Non-combustable finishing material				
non-combustable materials (structural building items EXCLUDED e.g. load bearing walls)	0	0	0	0
TC = thermal conductivity NC = non-combustable				

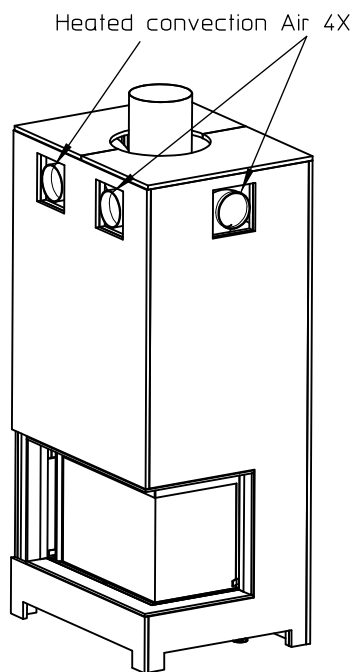
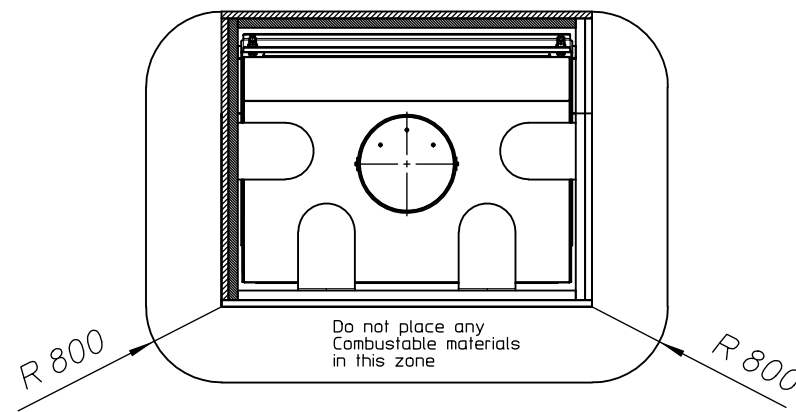
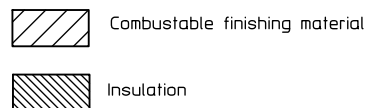
First aid and technical support:

- support@metalfire.eu
- +32 (0)9 261 50 57

scale 1:20	Rev. -1
www.metalfire.eu EN 13229	CE
General dimensional tolerances up to 6mm Metalfire preserves the right to modify specifications without previous notice	Sheet 2/3



Min. 13mm between fireplace and insulation



WITH FINISHING FRAME 90/10

ULTIME D Patented

metalfire

Technical Document

ULTIME D MF 800-50 WHE 2SR V20

- Dimensions (mm)**
- combustion opening WxHxD: 806x441x504
 - external WxDxH: 868x600x1443
 - fresh air: 2xØ150
 - diameter flue: Ø250

- Technical Data**
- Ecolabel: A+
 - capacity: 16kW
 - efficiency capacity: 82%
 - CO (volume with 13%O₂): 0.061%
 - dust (volume with 13%O₂): 23.6mg/Nm³
 - weight: 320kg
 - Air intake to convection: minimum 720cm² (4xØ150)
 - Air exhaust to convection: minimum 720cm² (4xØ150)

- Specifications**
- inside finishing: heat-resistant black paint
 - vermiculite insulation plates
 - convection jacket in galvanized steel
 - back and sides: ribbed cast iron
 - interior finishing: ORIGINAL (ribbed cast iron)

- Options**
- Finishing frame

Table: prescribed insulation thickness (mm)

Combustable finishing material				
	A	B	C	D
Test report (TC = 0,14 W/mk)	25	25	25	25
Non-combustable finishing material				
non-combustable materials (structural building items EXCLUDED e.g. load bearing walls)	0	0	0	0
TC = thermal conductivity NC = non-combustable				

First aid and technical support:

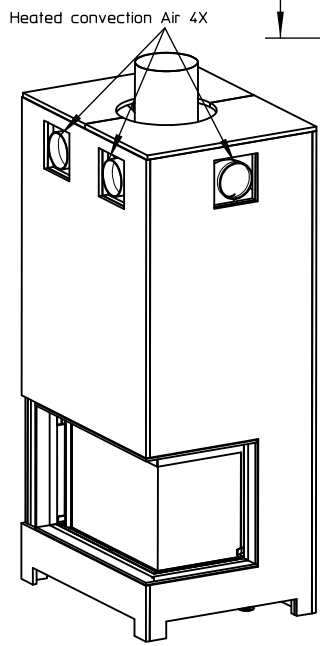
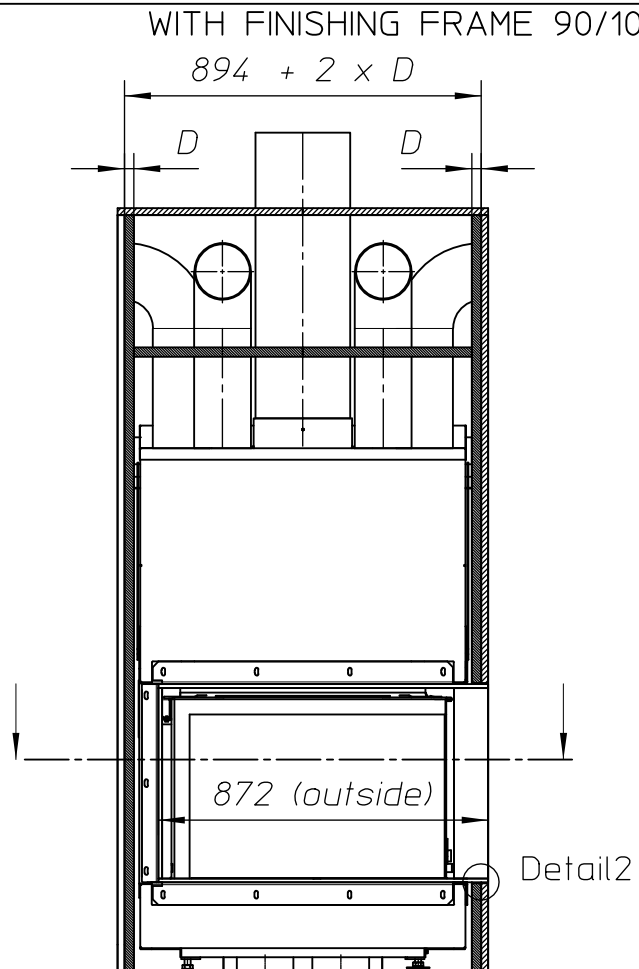
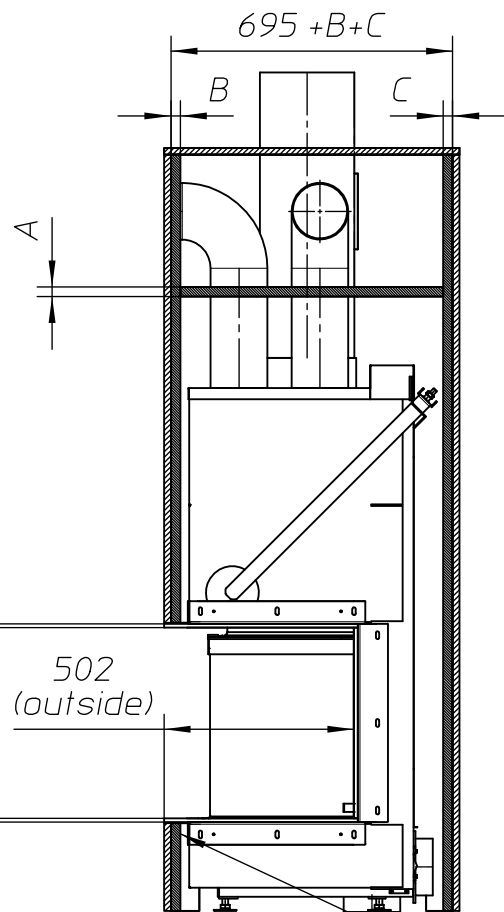
- support@metalfire.eu
- +32 (0)9 261 50 57

scale 1:20 Rev. -1

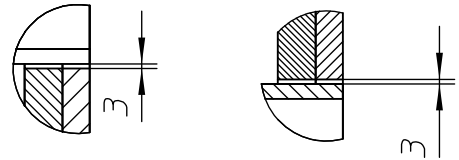
www.metalfire.eu EN 13229 CE

General dimensional tolerances up to 6mm Sheet 3/3

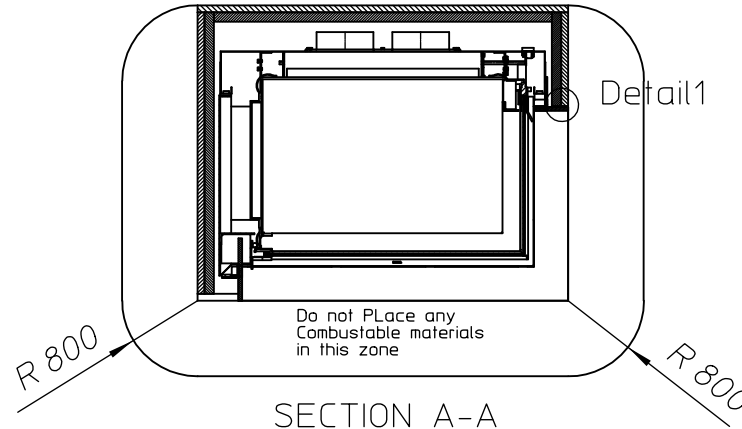
Metalfire preserves the right to modify specifications without previous notice



Min. 13mm between fireplace and insulation



- Combustible finishing material
- Insulation



Detail2

Detail1