

Metalfire

Technical Document

ULTIME D MF 800-50 WHE 1S Brick

Dimensions (mm)

- combustion opening WxH: 836 x 506
- external WxDxH: 1011 x 620 x 1819
- fresh air intake: 2 x Ø150
- flue gas outlet: Ø250

Technical Data

- ecolabel: A
- capacity: 18.2kW
- efficiency: 82.3%
- CO (volume with 13%O₂): 0.08%
- dust (volume with 13%O₂): 26mg/Nm³
- weight: 350kg
- convection air inlet: min.700cm² (4 x Ø150)
- convection air outlet: min.700cm² (4 x Ø150)

Min 1725 - Max 1819

Min 249 - Max 343

1011

836

506

A

155

Min 1613 - Max 1819

405 200

896

Fresh air inlet (2xØ150)

308.5

Ø150

SECTION A-A

506

Ø 250

Ø 150

69

88

69

620

310

286

358

131

Space for Bricks:
Metalfire+ takes no responsibility
for materials used and
for quality of Brickwork

First aid and technical support:

- support@metalfire.eu
- +32 9 261 51 90

scale 1:20

www.metalfire.eu

EN 13229

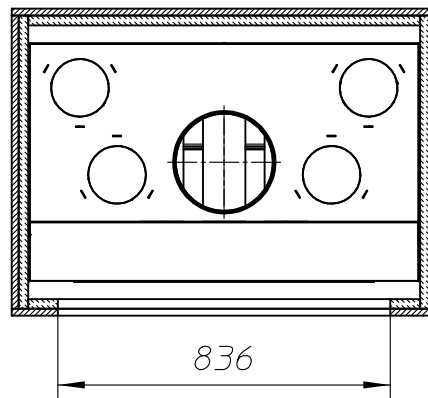
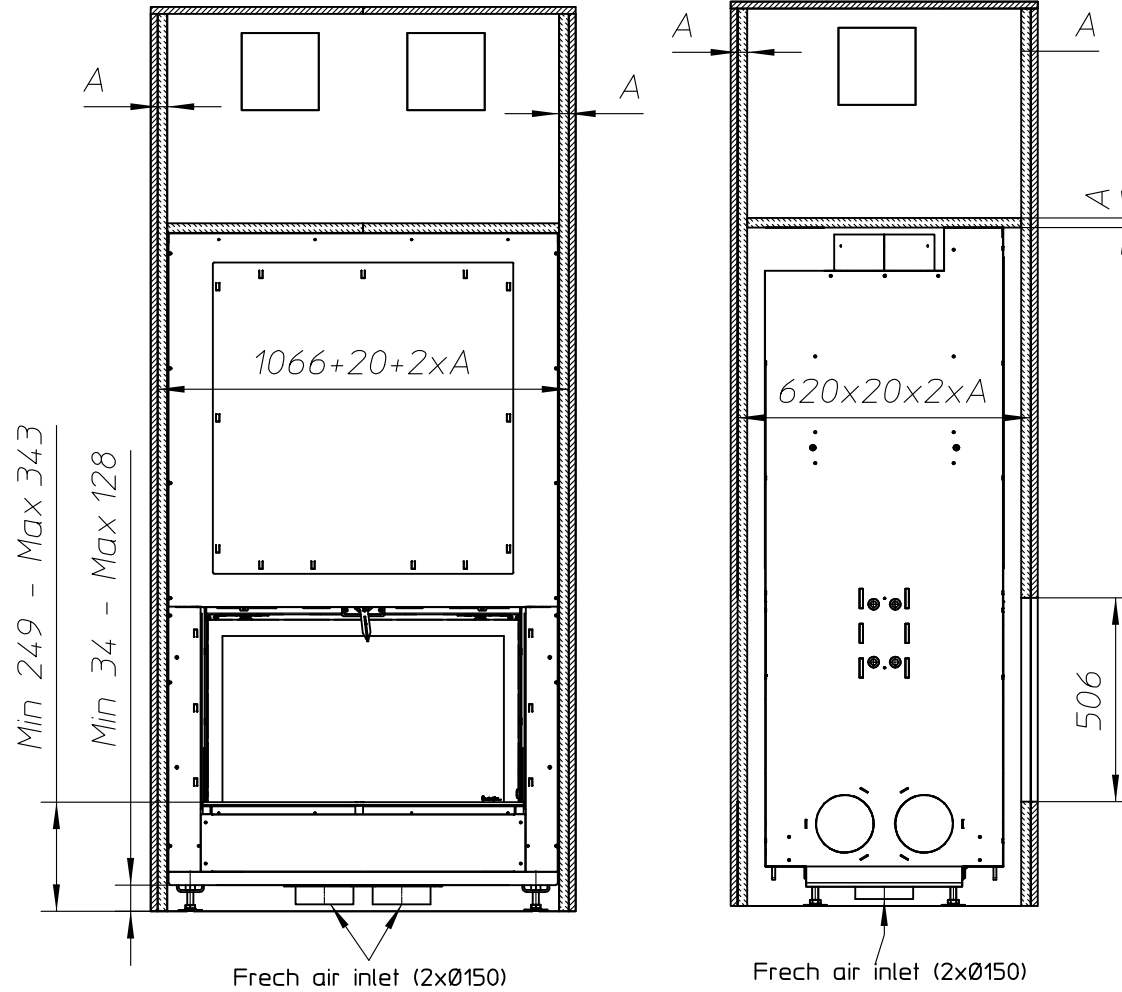
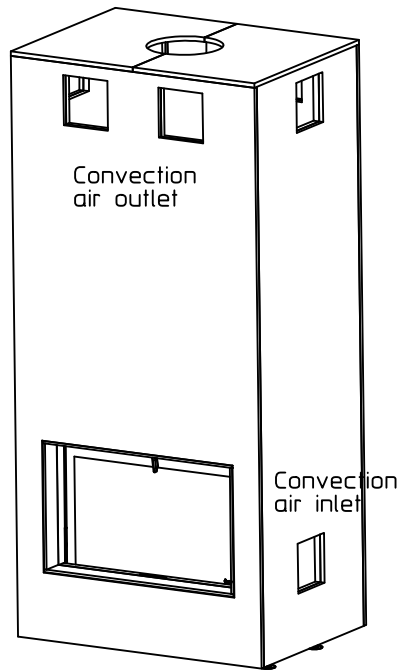
General dimensional tolerances up to 6mm
Metalfire preserves the right to modify specifications without previous notice


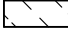
Rev.
A

CE

Sheet
1/5

Without finishing frame



 Combustible finishing material
 Insulation (thickness see table)

ULTIME D Patented

Metalfire

Technical Document

ULTIME D MF 800-50 WHE 1S BRICK

Prescribed insulation thickness (mm)

Combustible finishing material

Metalfire recommended
SILCA T 300
(TC = 0,09 W/mK)

A = 25mm

Non-combustible finishing material

non-combustable
materials
structural building items
EXCLUDED e.g. load bearing walls

A = 0mm

TC = thermal conductivity

NC = non-combustable

First aid and technical support:

- support@metalfire.eu

- +32 9 261 51 90

scale 1:20

Rev.
A

www.metalfire.eu

EN 13229

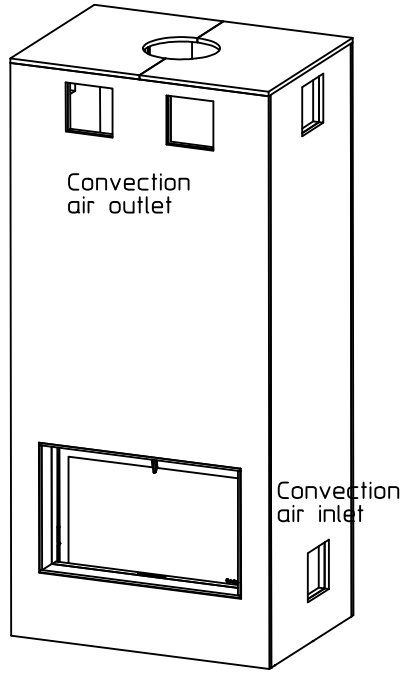
CE

General dimensional tolerances up to 6mm

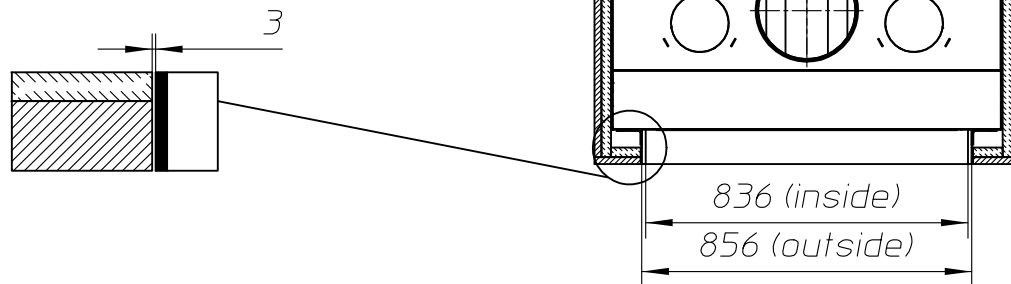
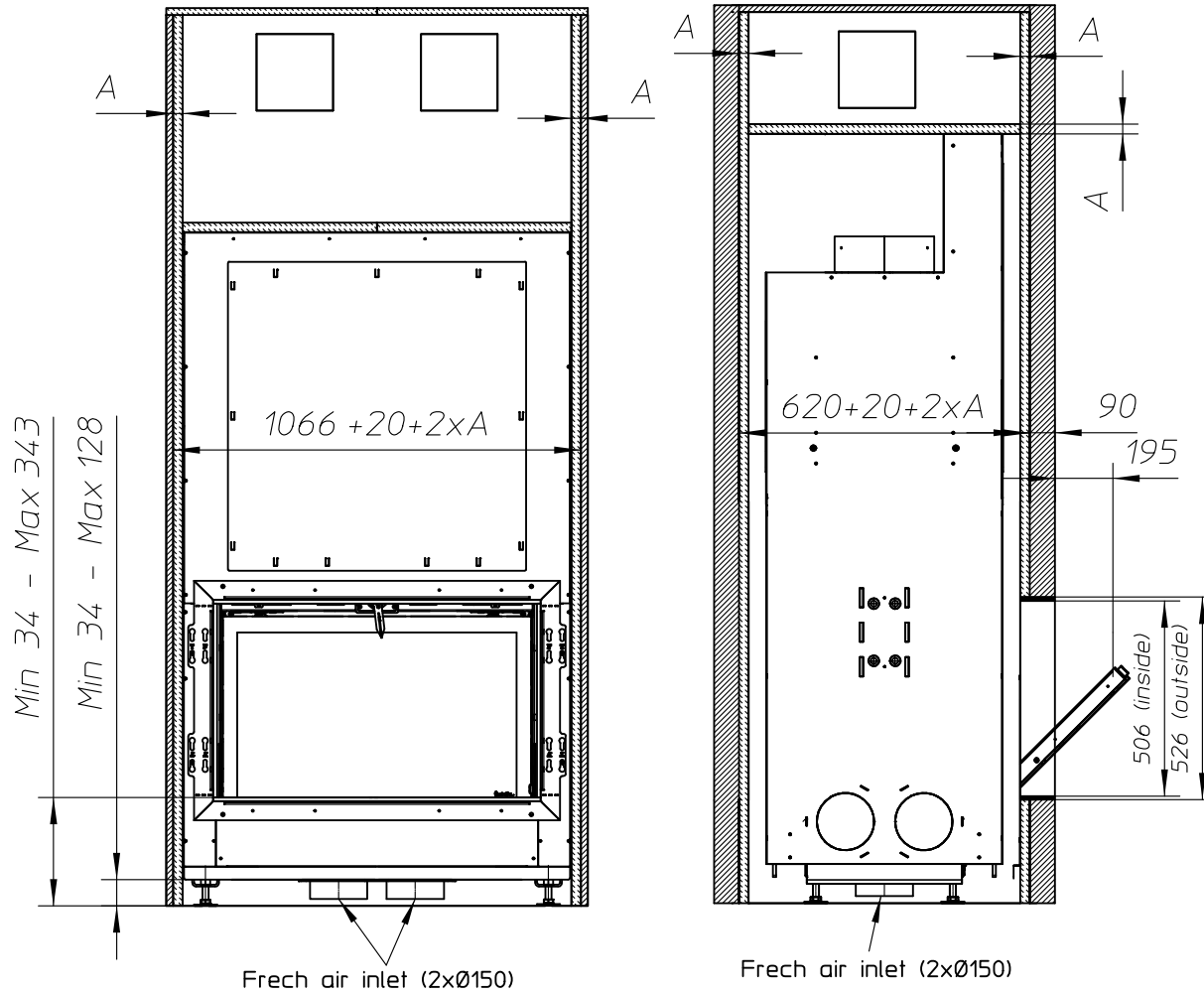
Metalfire preserves the right to modify specifications without previous notice


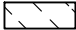
Sheet
2/5

With finishing frame 90/10



Scale 1:30



 Combustible finishing material
 Insulation (thickness see table)

ULTIME D Patented

Metalfire

Technical Document

ULTIME D MF 800-50 WHE 1S BRICK

Prescribed insulation thickness (mm)

Combustible finishing material

Metalfire recommended
SILCA T 300
(TC = 0,09 W/mK)

A = 25mm

Non-combustible finishing material

non-combustible
materials
structural building items
EXCLUDED e.g. load bearing walls

A = 0mm

TC = thermal conductivity

NC = non-combustible

First aid and technical support:

- support@metalfire.eu

- +32 9 261 51 90

scale 1:20

Rev.
A

www.metalfire.eu

EN 13229

CE

General dimensional tolerances up to 6mm

Metalfire preserves the right to modify specifications without previous notice

Sheet
3/5

WITH FIRESCREEN - NO FINISHING FRAME

ULTIME D Patented

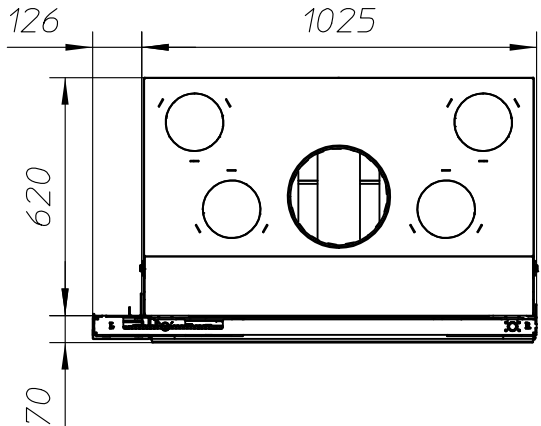
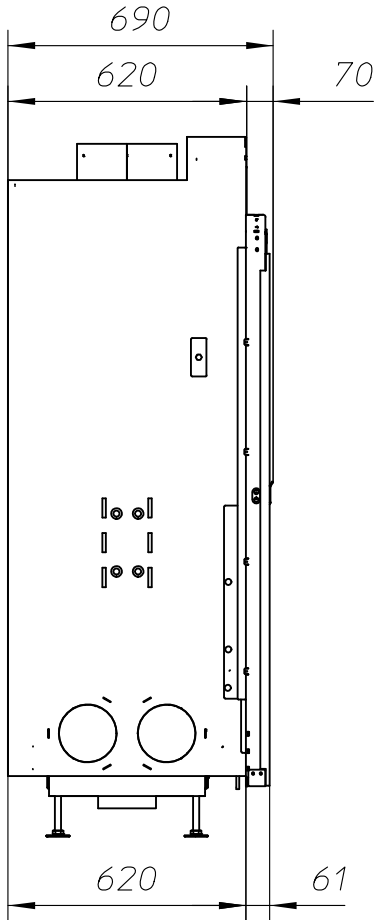
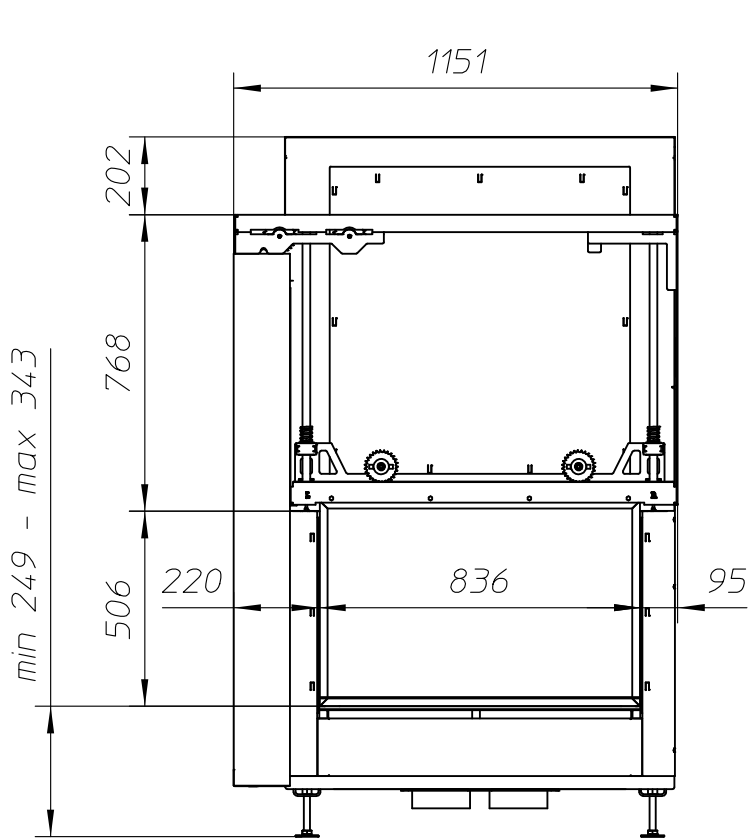
Metalfire

Technical Document

ULTIME D MF 800-50 WHE 1S Brick

- Dimensions (mm)**
- combustion opening WxH: 836 x 506
 - external WxDxH: 1151 x 690 x 2069
 - fresh air intake: 2 x Ø150
 - flue gas outlet: Ø250

- Technical Data**
- ecolabel: A
 - capacity: 18.2kW
 - efficiency: 82.3%
 - CO (volume with 13%O₂): 0.08%
 - dust (volume with 13%O₂): 26mg/Nm³
 - weight: 350kg
 - convection air inlet: min.700cm² (4 x Ø150)
 - convection air outlet: min.700cm² (4 x Ø150)



First aid and technical support:

- support@metalfire.eu
- +32 9 261 51 90

scale 1:20	Rev. A
www.metalfire.eu EN 13229	CE
General dimensional tolerances up to 6mm Metalfire preserves the right to modify specifications without previous notice	Sheet 4/5

WITH FIRESCREEN AND FINISHING FRAME 120/10

ULTIME D Patented

Metalfire

Technical Document

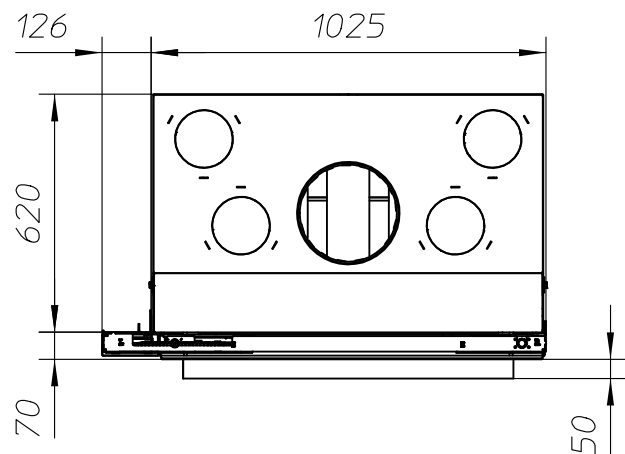
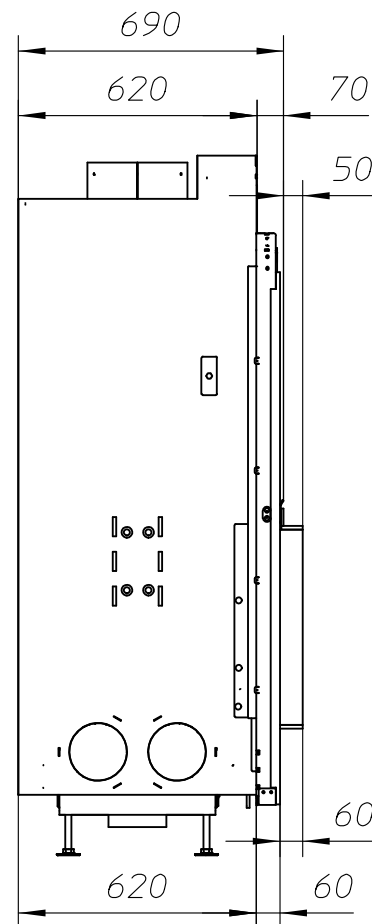
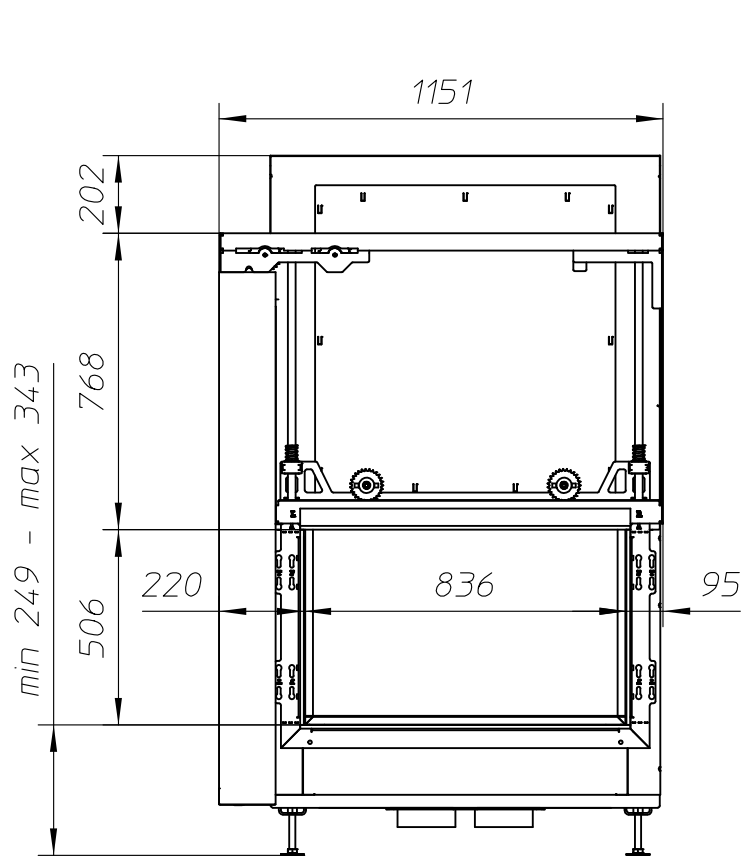
ULTIME D MF 800-50 WHE 1S Brick

Dimensions (mm)

- combustion opening WxH: 836 x 506
- external WxDxH: 1151 x 740 x 2069
- fresh air intake: 2 x Ø150
- flue gas outlet: Ø250

Technical Data

- ecolabel: A
- capacity: 18.2kW
- efficiency: 82.3%
- CO (volume with 13%O₂): 0.08%
- dust (volume with 13%O₂): 26mg/Nm³
- weight: 350kg
- convection air inlet: min.700cm² (4 x Ø150)
- convection air outlet: min.700cm² (4 x Ø150)



First aid and technical support:

- support@metalfire.eu
- +32 9 261 51 90

scale 1:20	Rev. A
www.metalfire.eu EN 13229	CE
General dimensional tolerances up to 6mm Metalfire preserves the right to modify specifications without previous notice	Sheet 5/5