

Metalfire

Technical Document

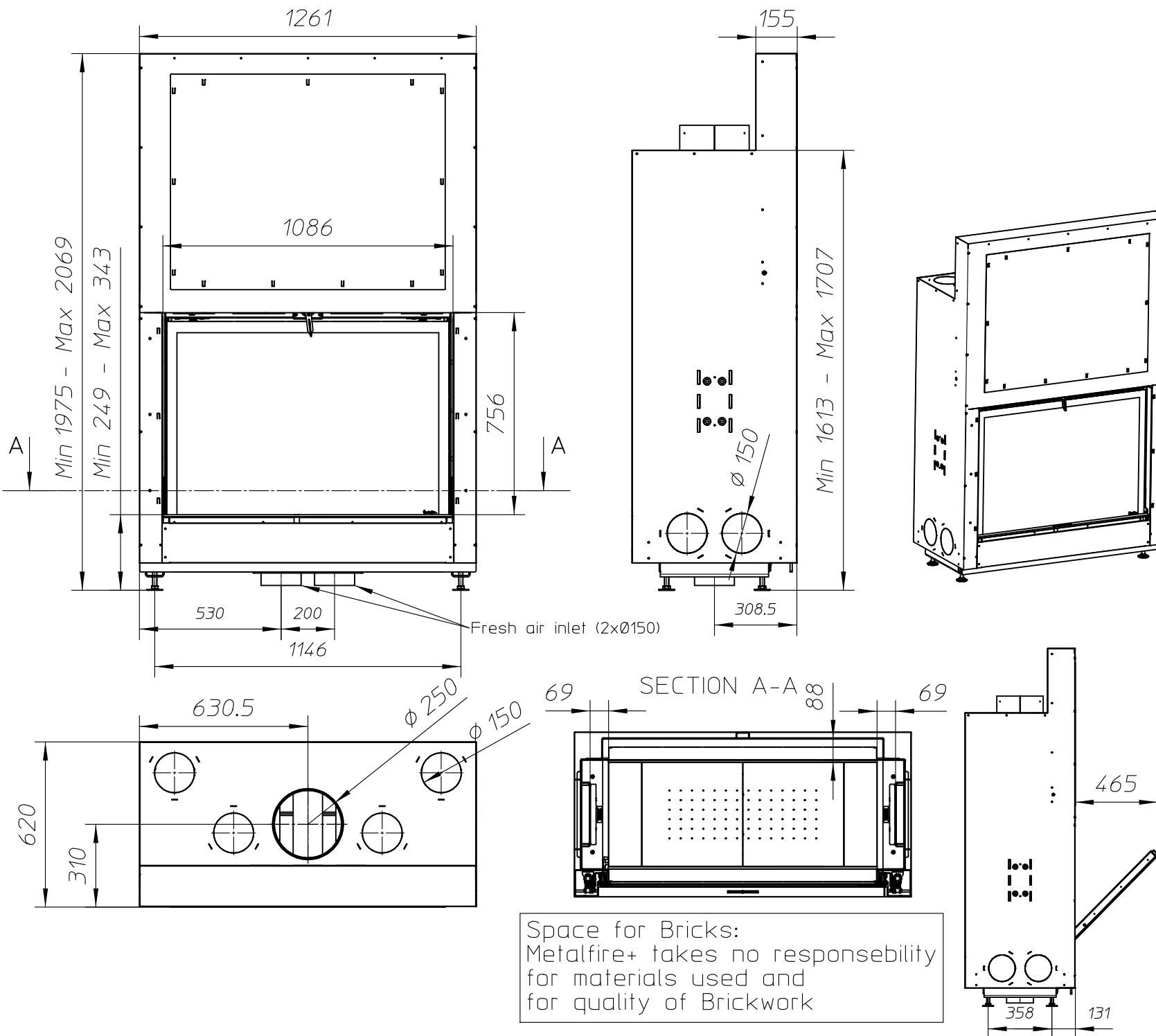
ULTIME D MF 1050-75 WHE 1S BRICK

Dimensions (mm)

- combustion opening WxH: 1086 x 756
- external WxDxH: 1261 x 620 x 2069
- fresh air intake: 2 x Ø150
- flue gas outlet: Ø250

Technical Data

- ecolabel: A
- capacity: 25.2kW
- efficiency: 79%
- CO (volume with 13%O₂): 0.05%
- dust (volume with 13%O₂): 30mg/Nm³
- weight: 400kg
- convection air inlet: min.700cm² (4 x Ø150)
- convection air outlet: min.700cm² (4 x Ø150)



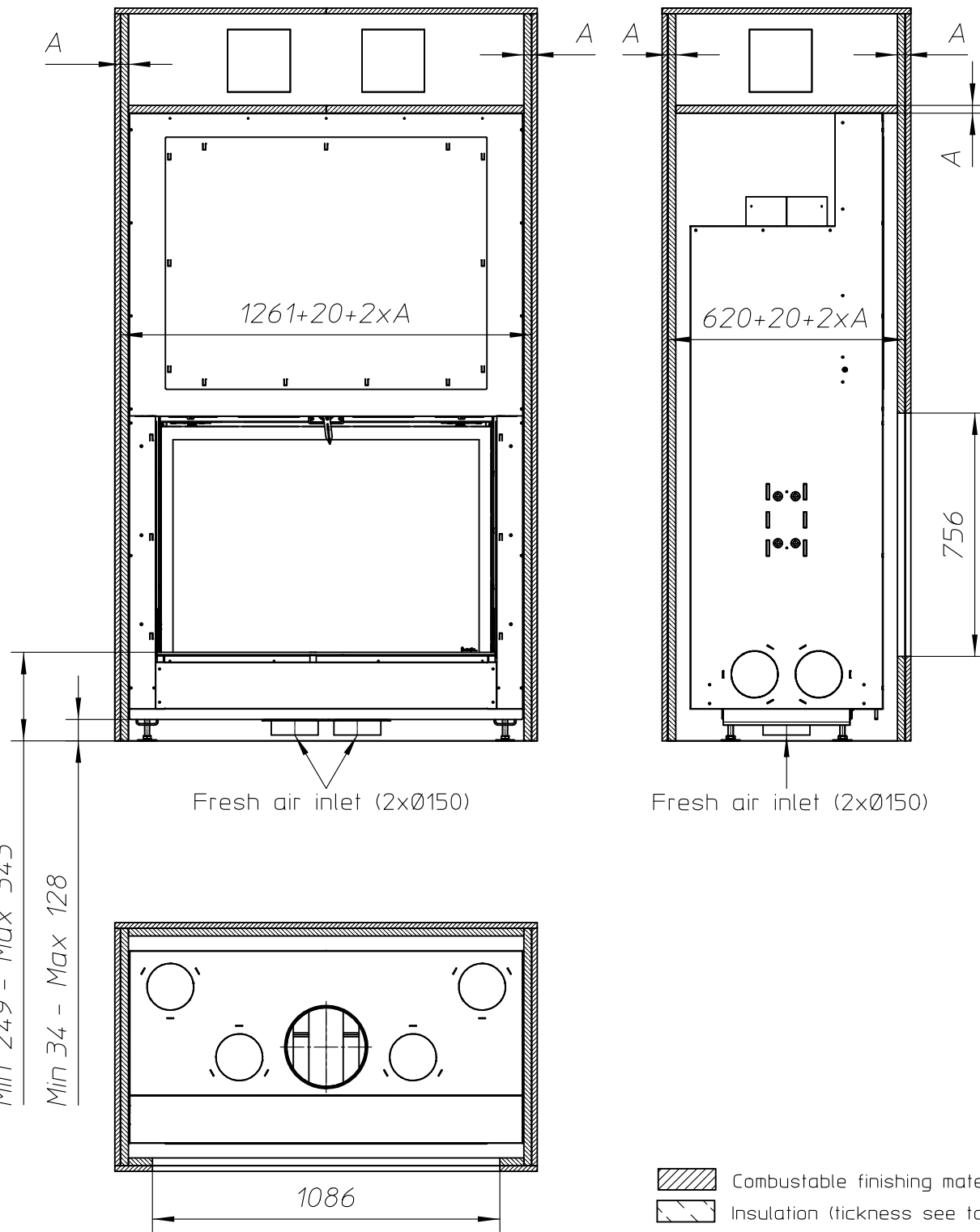
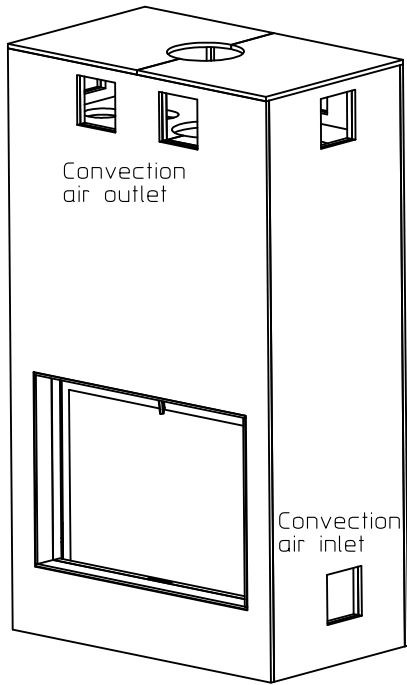
Space for Bricks:
Metalfire+ takes no responsibility
for materials used and
for quality of Brickwork

First aid and technical support:

- support@metalfire.eu
- +32 9 261 51 90

scale 1:20	Rev. B
www.metalfire.eu EN 13229	CE
General dimensional tolerances up to 6mm Metalfire preserves the right to modify specifications without previous notice	Sheet 1/3

Without finishing frame



ULTIME D Patented

Metalfire

Technical Document

ULTIME D MF 1050-75 WHE 1S BRICK

Prescribed insulation thickness (mm)

Combustable finishing material

Metalfire recommended
SILCA T 300
(TC = 0,09 W/mK)

A = 25mm

Non-combustable finishing material

non-combustable
materials
structural building items
EXCLUDED e.g. load bearing walls

A = 0mm

TC = thermal conductivity

NC = non-combustable

First aid and technical support:

- support@metalfire.eu

- +32 9 261 51 90

scale 1:20

Rev.
B

www.metalfire.eu

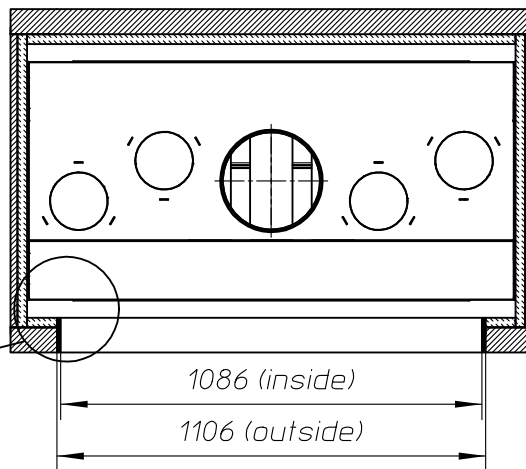
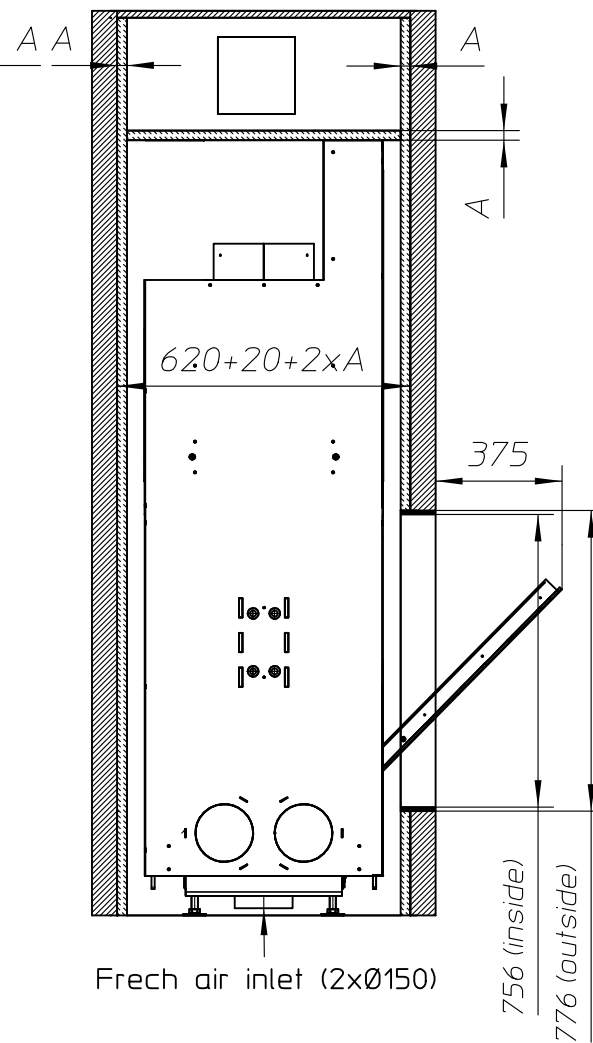
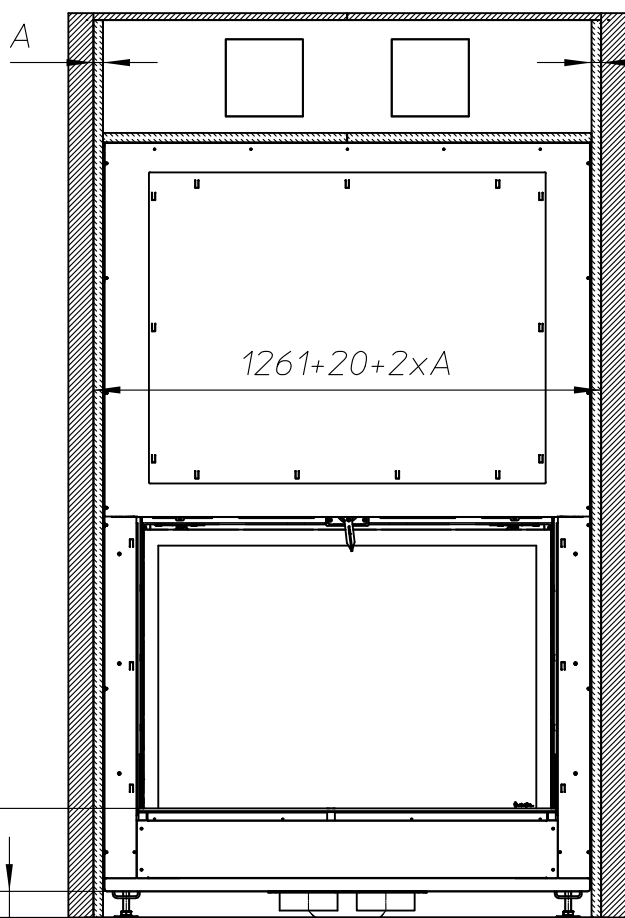
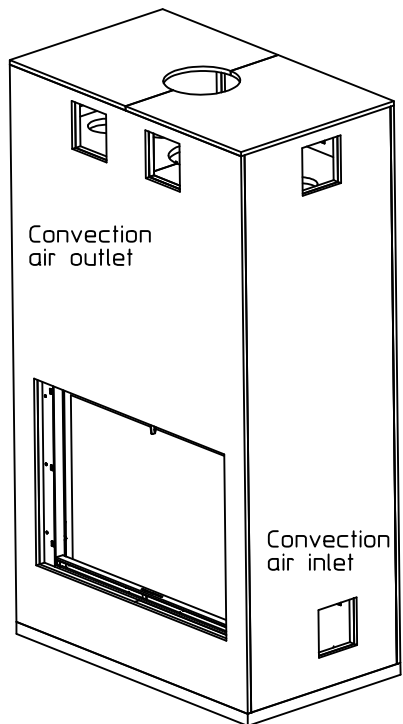
EN 13229

CE

General dimensional tolerances up to 6mm
Metalfire preserves the right to modify specifications without previous notice

Sheet
2/3

With finishing frame 90/10



ULTIME D Patented

Metalfire

Technical Document

ULTIME D MF 1050-75 WHE 1S BRICK

Prescribed insulation thickness (mm)

Combustable finishing material

Metalfire recommended
SILCA T 300
(TC = 0,09 W/mK)

A = 25mm

Non-combustable finishing material

non-combustable
materials
structural building items
EXCLUDED e.g. load bearing walls

A = 0mm

TC = thermal conductivity

NC = non-combustable

First aid and technical support:

- support@metalfire.eu

- +32 9 261 51 90

scale 1:20

www.metalfire.eu

EN 13229

General dimensional tolerances up to 6mm

Metalfire preserves the right to modify specifications without previous notice

Rev.
B

CE

Sheet
3/3

Combustable finishing material

Insulation (thickness see table)