

Space for Bricks:
Metalfire+ takes no responsibility
for materials used and
for quality of Brickwork

ULTIME D Patented

Metalfire

Technical Document

ULTIME D MF 1050-50 WHE 1S BRICK

Dimensions (mm)

- combustion opening WxH: 1086 x 506
- external WxDxH: 1261 x 620 x 1819
- fresh air intake: 2 x Ø150
- flue gas outlet: Ø250

Technical Data

- ecolabel: A
- capacity: 25.2kW
- efficiency: 79%
- CO (volume with 13%O₂): 0.05%
- dust (volume with 13%O₂): 30mg/Nm³
- weight: 400kg
- convection air inlet: min.700cm² (4 x Ø150)
- convection air outlet: min.700cm² (4 x Ø150)

First aid and technical support:

- support@metalfire.eu
- +32 9 261 51 90

scale 1:20

Rev.
A.1

www.metalfire.eu

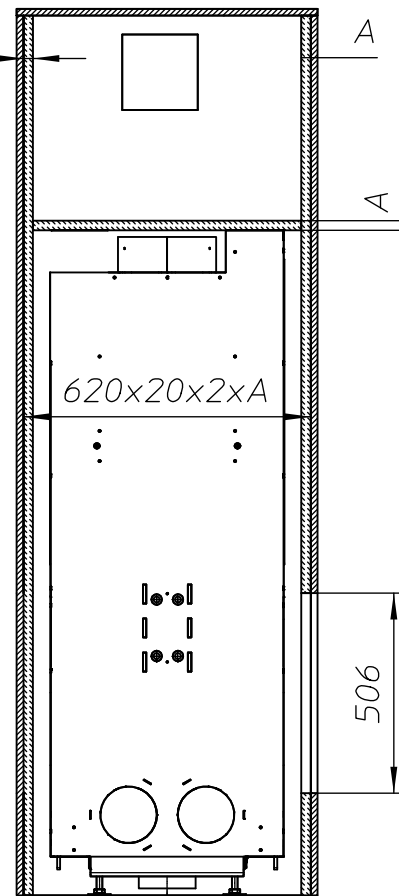
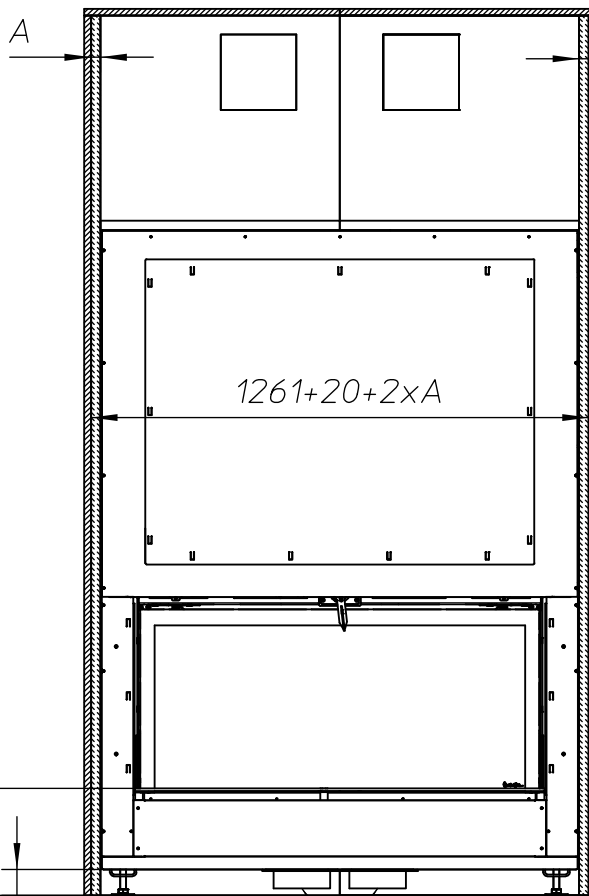
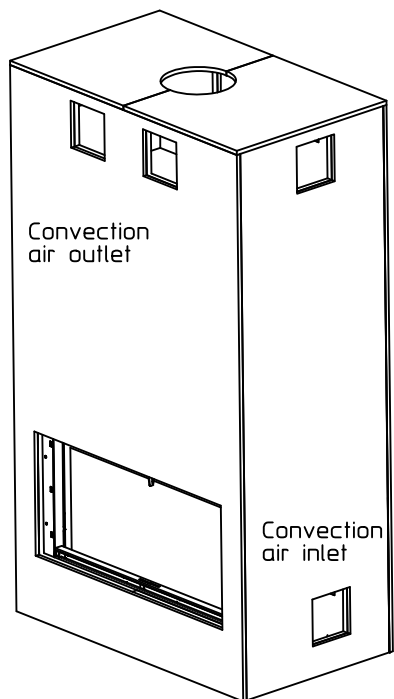
EN 13229

CE

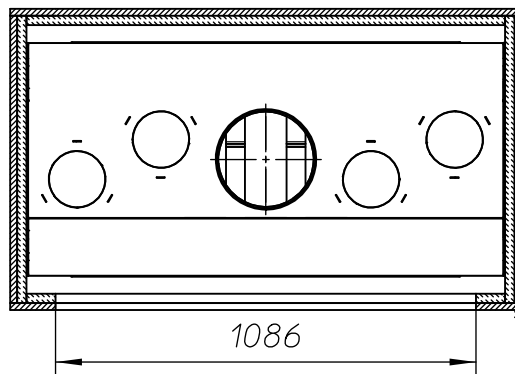
General dimensional tolerances up to 6mm
Metalfire preserves the right to modify specifications without previous notice

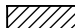
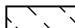
Sheet
1/3

Without finishing frame



Min 249 - Max 343
Min 34 - Max 128



 Combustible finishing material
 Insulation (thickness see table)

ULTIME D Patented

Metalfire

Technical Document

ULTIME D MF 1050-50 WHE 1S BRICK

Prescribed insulation thickness (mm)

Combustible finishing material

Metalfire recommended
SILCA T 300
(TC = 0,09 W/mK)

A = 25mm

Non-combustible finishing material

non-combustible
materials
structural building items
EXCLUDED e.g. load bearing walls

A = 0mm

TC = thermal conductivity NC = non-combustible

First aid and technical support:

- support@metalfire.eu
- +32 9 261 51 90

scale 1:20

Rev.
A.1

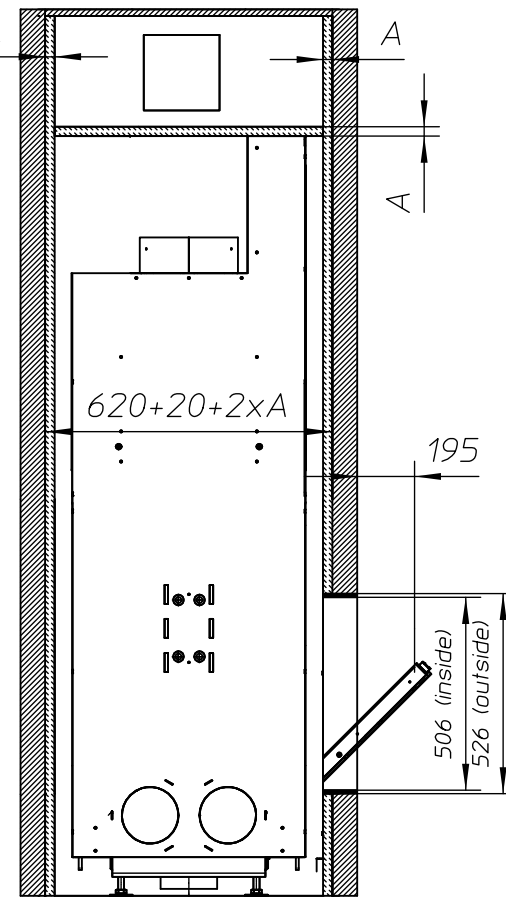
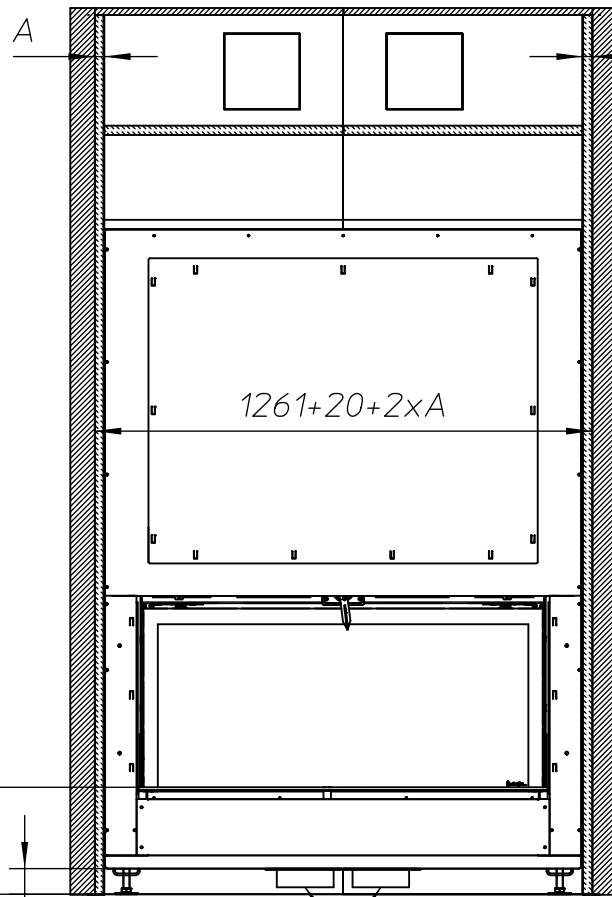
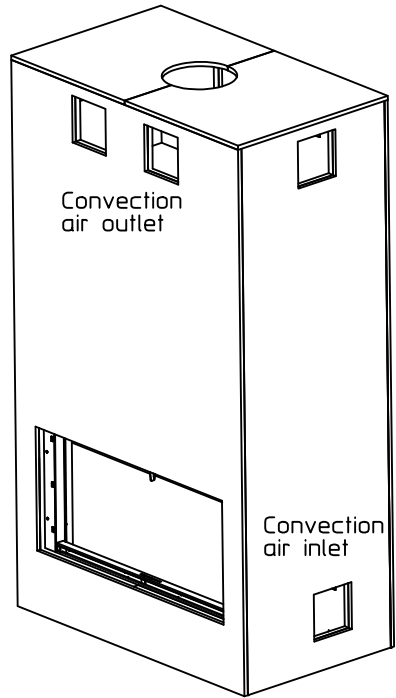
www.metalfire.eu EN 13229

CE

General dimensional tolerances up to 6mm
Metalfire preserves the right to modify specifications without previous notice

Sheet
2/3

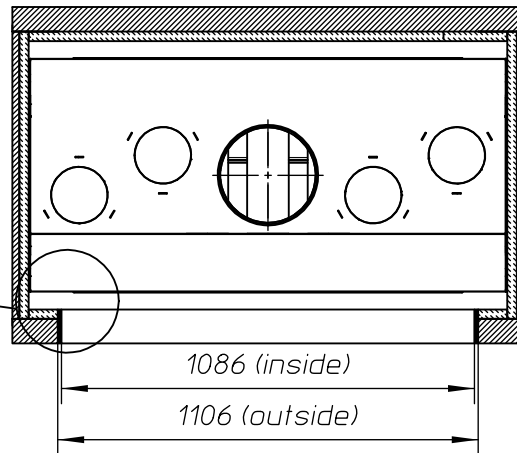
With finishing frame 90/10



Frech air inlet (2xØ150)


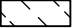
Frech air inlet (2xØ150)

Min 249 - Max 343
Min 34 - Max 128



1086 (inside)

1106 (outside)

 Combustible finishing material
 Insulation (thickness see table)

ULTIME D Patented

Metalfire

Technical Document

ULTIME D MF 1050-50 WHE 1S BRICK

Prescribed insulation thickness (mm)

Combustible finishing material

Metalfire recommended
SILCA T 300
(TC = 0,09 W/mK)

A = 25mm

Non-combustible finishing material

non-combustible
materials
structural building items
EXCLUDED e.g load bearing walls

A = 0mm

TC = thermal conductivity NC = non-combustible

First aid and technical support:

- support@metalfire.eu
- +32 9 261 51 90

scale 1:20

Rev.
A.1

www.metalfire.eu EN 13229

CE

General dimensional tolerances up to 6mm
Metalfire preserves the right to modify specifications without previous notice

Sheet
3/3