

OPTIMUM

Metalfire

Technical Document

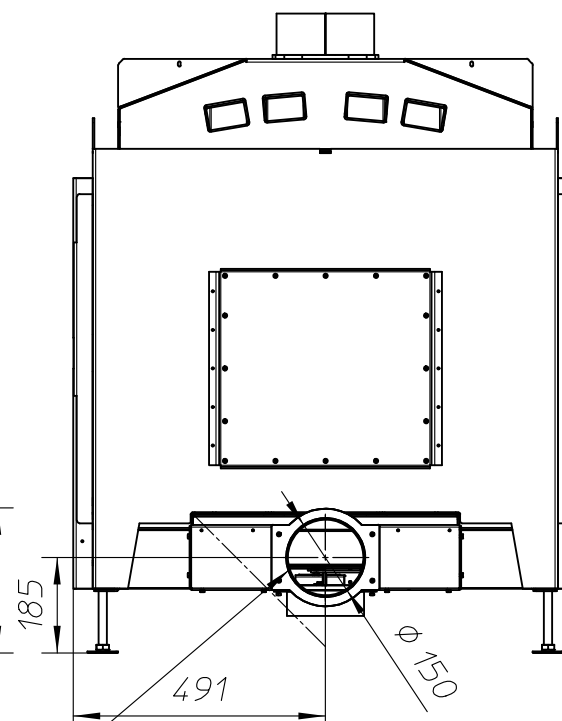
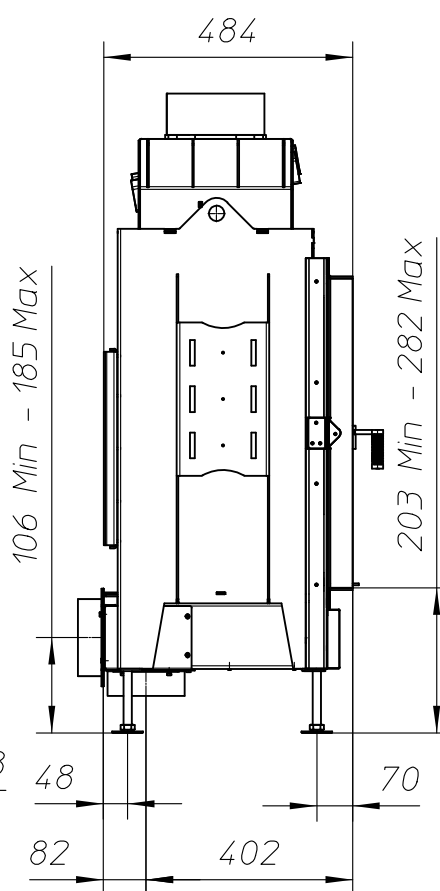
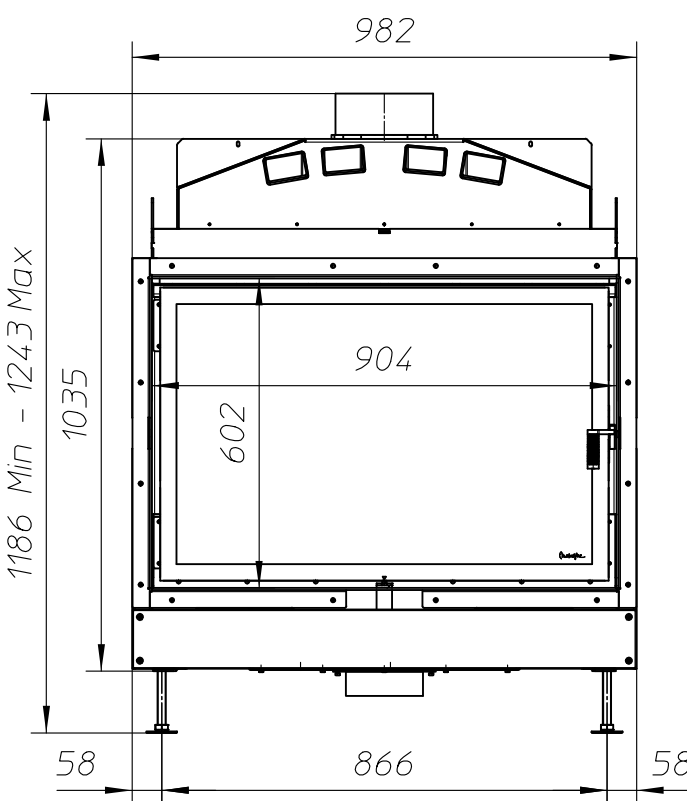
Optimum MF 900-60 WHE 1S

Dimensions (mm)

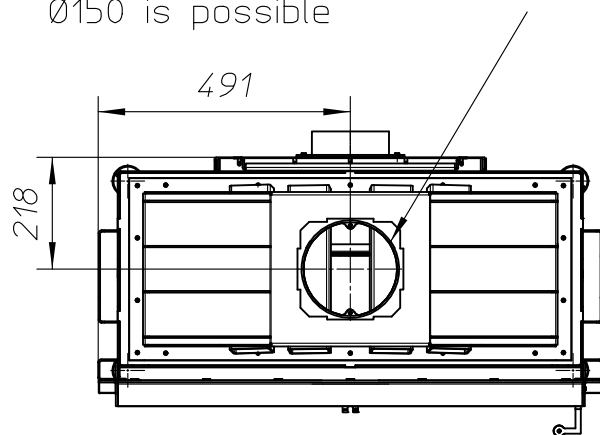
- combustion opening WxH: 904 x 602
- external WxDxH: 982 x 484 x 1243
- fresh air intake: 1 x Ø150
- flue gas outlet: Ø180 (Ø150)

Technical Data

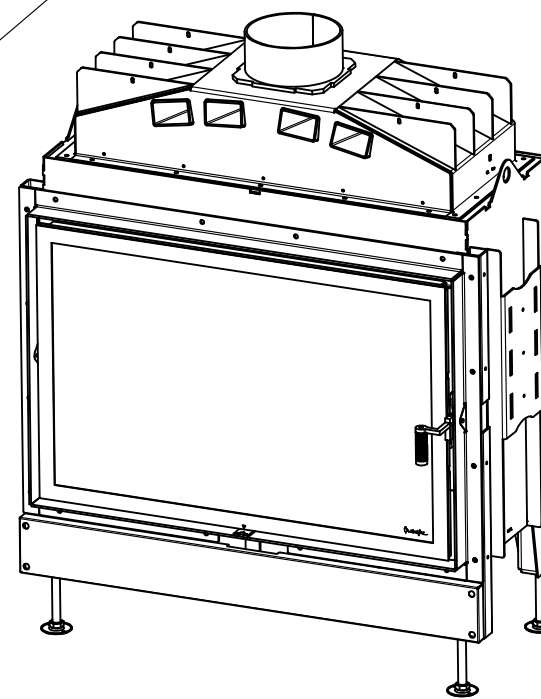
- ecolabel: A+
- capacity: 12.9kW
- efficiency: 82.6%
- CO (volume with 13%O₂): 0.05%
- dust (volume with 13%O₂): 22mg/Nm³
- weight: 180kg
- convection air inlet: min.700cm² (2 x Ø150)
- convection air outlet: min.700cm² (2 x Ø150)



Flue gas outlet tube Ø180
With reducer a fluegas tube of
Ø150 is possible



Fresh air inlet 1 x Ø150
1 connection on back or
1 connection on bottom



First aid and technical support:

- support@metalfire.eu
- +32 9 261 51 90

scale 1:20

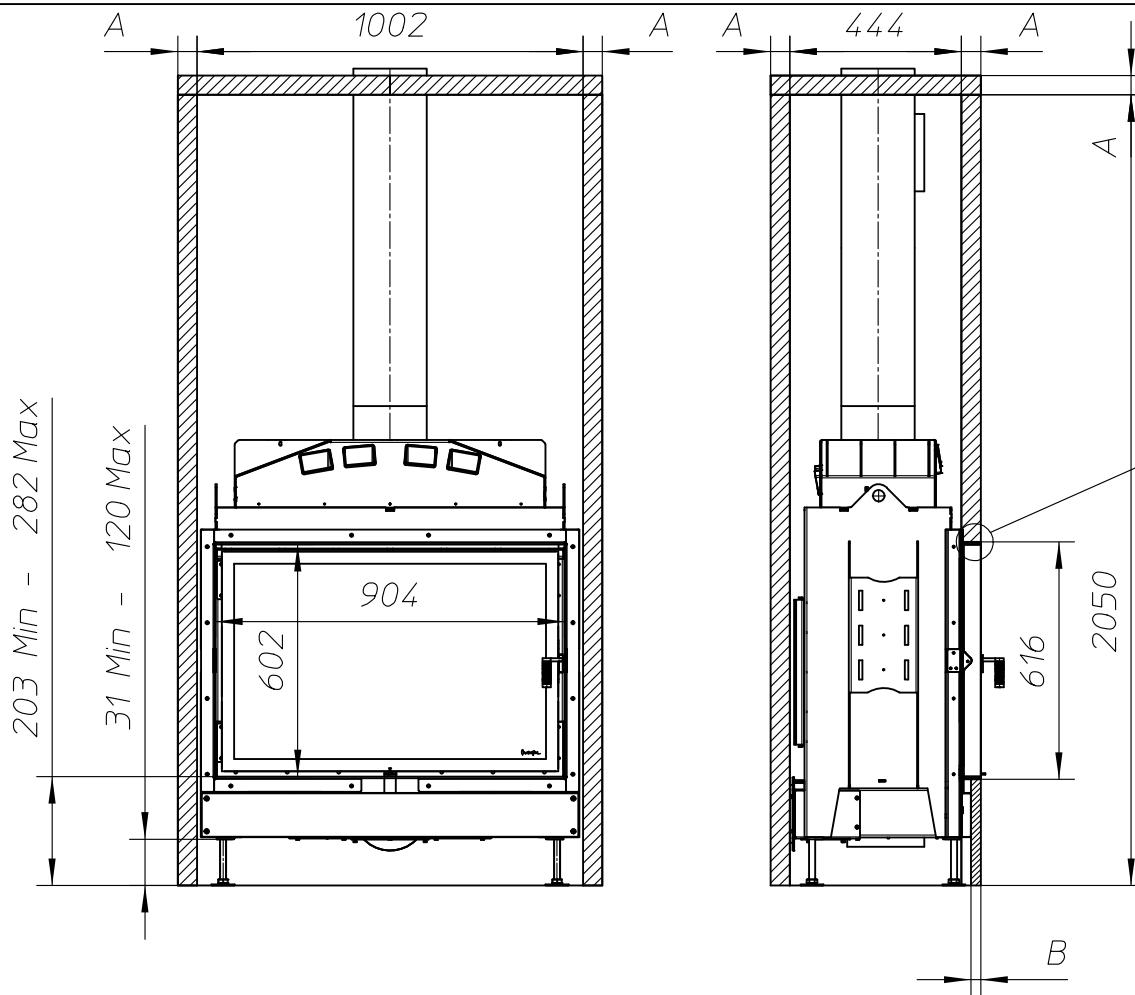
www.metalfire.eu EN 13229

General dimensional tolerances up to 6mm
Metalfire preserves the right to modify specifications without previous notice

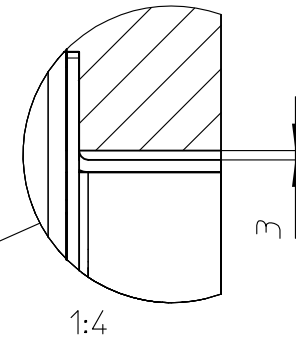
Rev.
-

CE

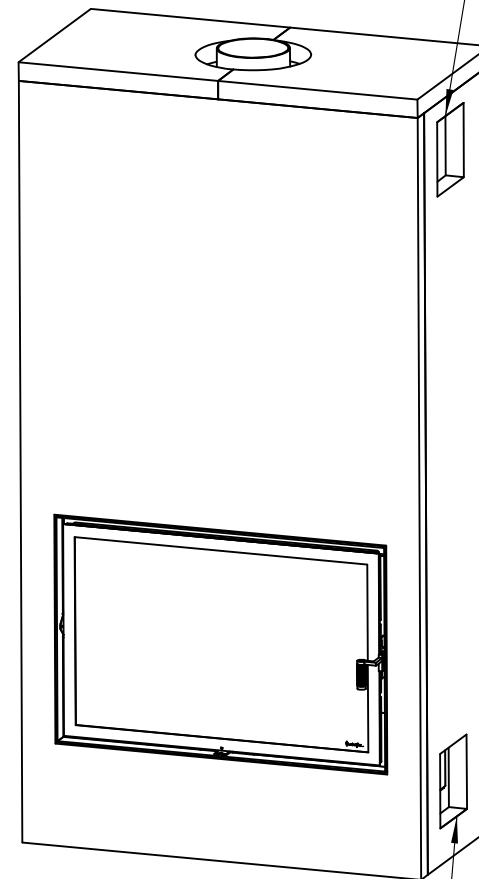
Sheet
1/3



WITHOUT FINISHING FRAME



Convection air outlet



Convection air inlet

OPTIMUM

Metalfire

Technical Document

Optimum MF 900-60 WHE 1S

Prescribed insulation thickness (mm)

Combustable finishing material

Metalfire recommended
SILCA T 300
(TC = 0,09 W/mK)

A = 50mm

B = 25mm

Non-combustable finishing material

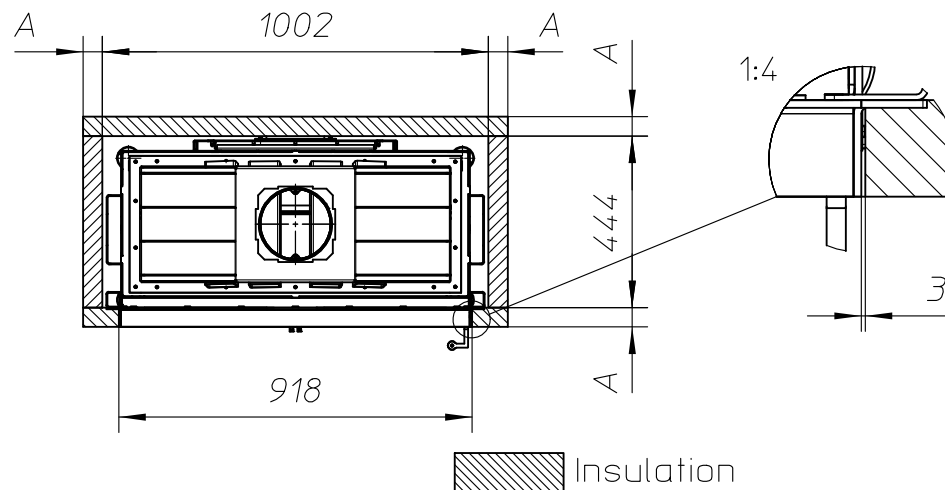
non-combustable
materials
structural building items
EXCLUDED e.g. load bearing walls

A = 0mm

B = 0mm

TC = thermal conductivity

NC = non-combustable



 Insulation

First aid and technical support:

- support@metalfire.eu

- +32 9 261 51 90

scale 1:20

www.metalfire.eu

EN 13229

General dimensional tolerances up to 6mm

Metalfire preserves the right to modify specifications without previous notice

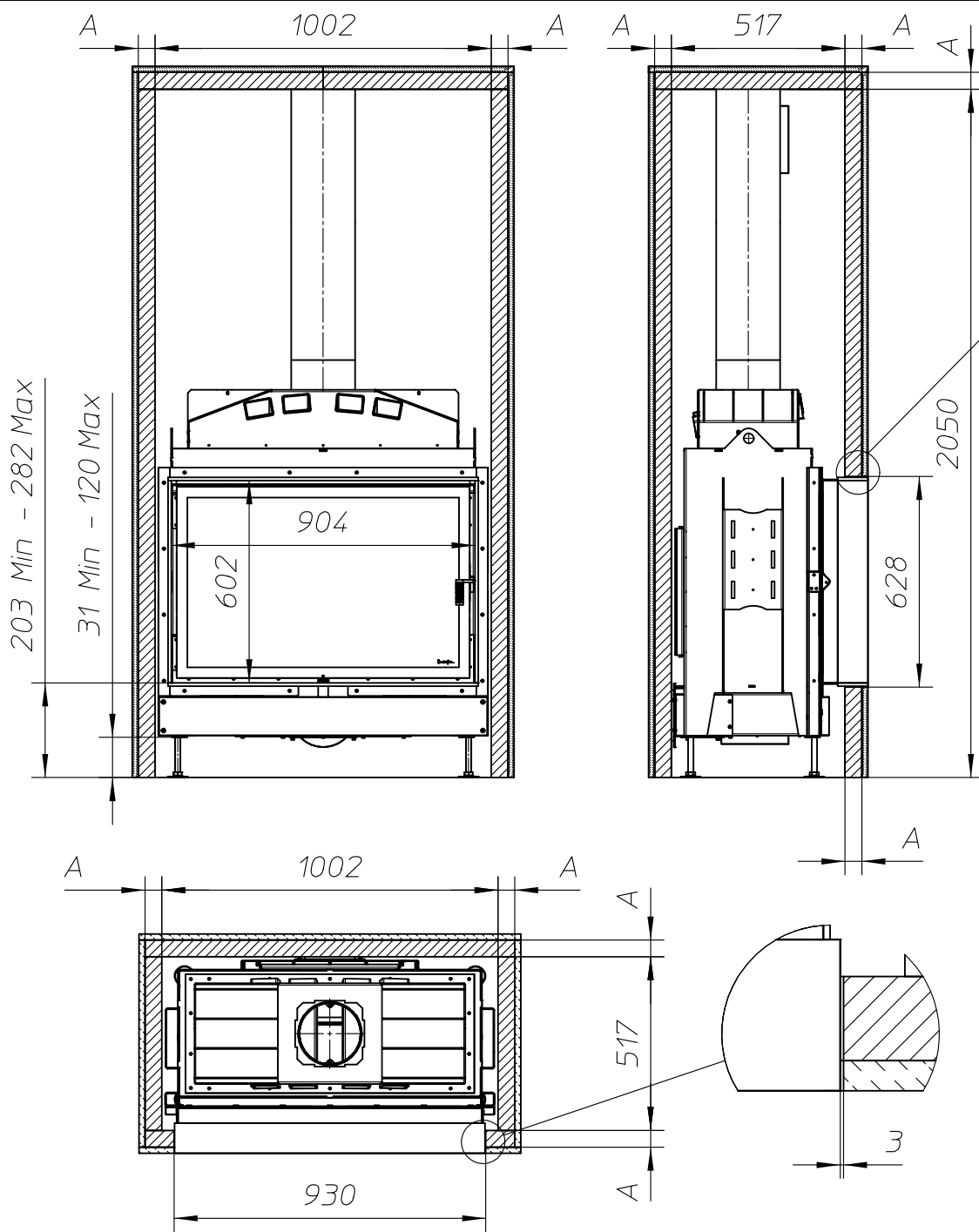
Rev.

-

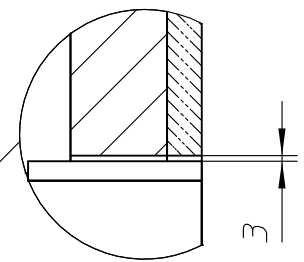
CE

Sheet

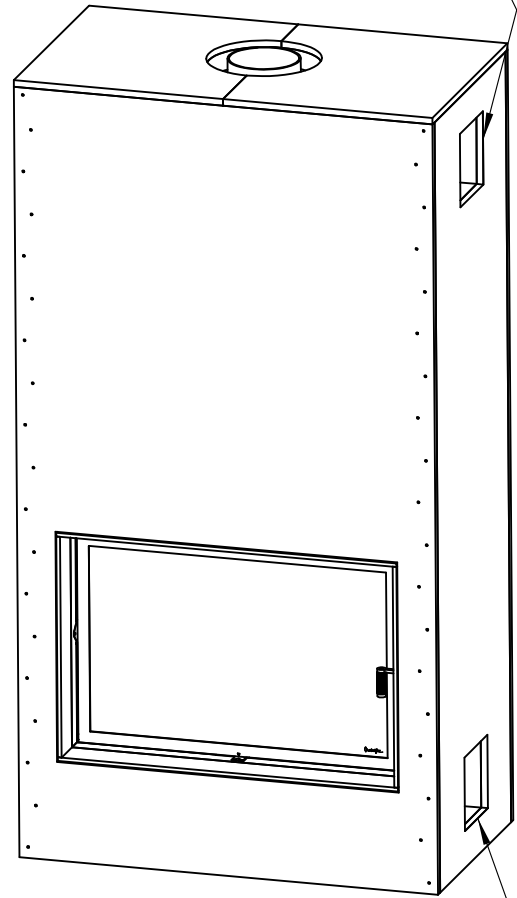
2/3



WITH FINISHING FRAME 90/10



Convection air outlet



Convection air inlet

-  Insulation
-  Combustible finish material

OPTIMUM

Metalfire

Technical Document

Optimum MF 900-60 WHE 1S

Prescribed insulation thickness (mm)

Combustible finishing material

Metalfire recommended
SILCA T 300
(TC = 0,09 W/mK)

A = 50mm

Non-combustible finishing material

non-combustible
materials
structural building items
EXCLUDED e.g. load bearing walls

A = 0mm

TC = thermal conductivity

NC = non-combustible

First aid and technical support:

- support@metalfire.eu
- +32 9 261 51 90

scale 1:20

www.metalfire.eu EN 13229

General dimensional tolerances up to 6mm
Metalfire preserves the right to modify specifications without previous notice

Rev.
-

CE

Sheet
3/3