

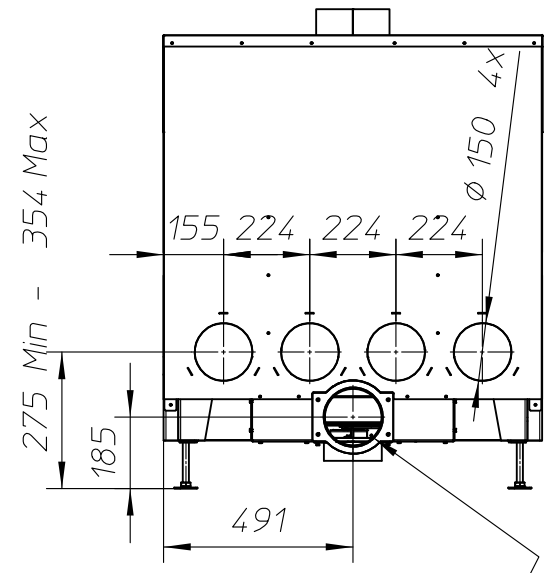
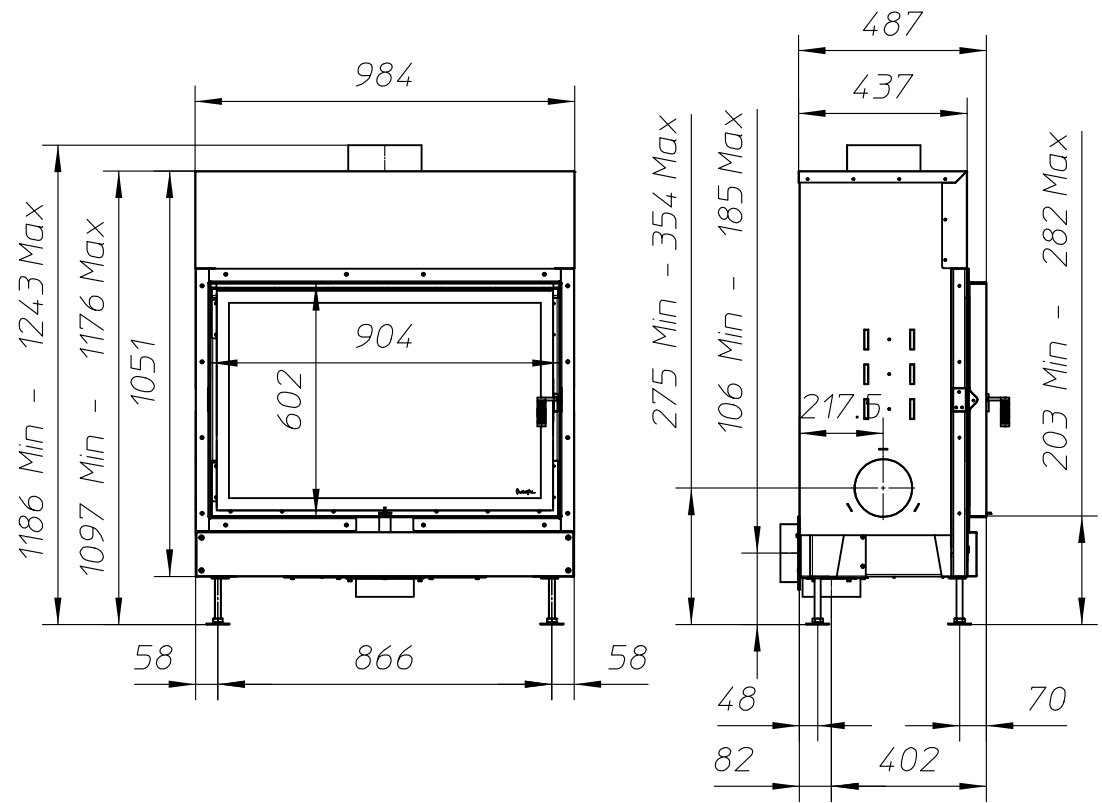
Metalfire

Technical Document

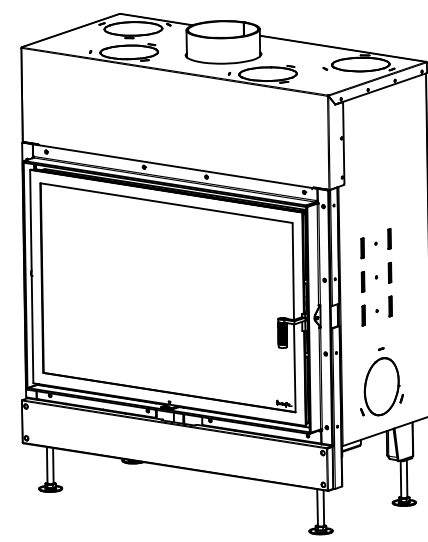
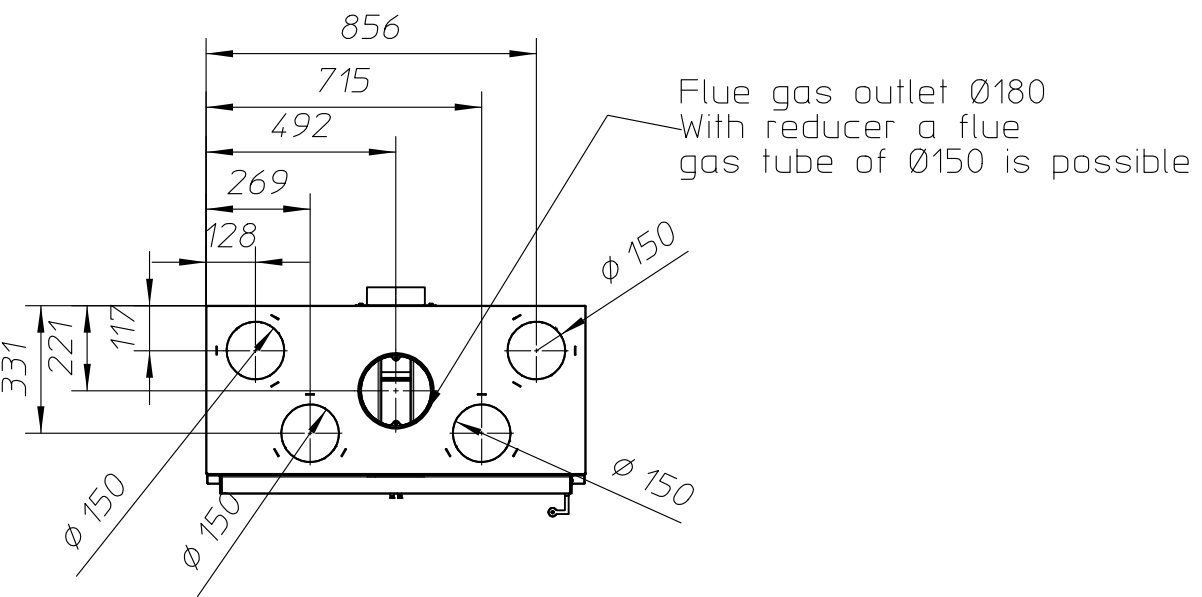
OPTIMUM MF 900-60 WHE 1S C

- Dimensions (mm)**
- combustion opening WxH: 904 x 602
 - external WxDxH: 984 x 487 x 1243
 - fresh air intake: 1 x Ø150
 - flue gas outlet: Ø180 (Ø150)

- Technical Data**
- ecolabel: A+
 - capacity: 12.9kW
 - efficiency: 82.6%
 - CO (volume with 13%O₂): 0.05%
 - dust (volume with 13%O₂): 22mg/Nm³
 - weight: 180kg
 - convection air inlet: min.350cm² (2 x Ø150)
 - convection air outlet: min.350cm² (2 x Ø150)

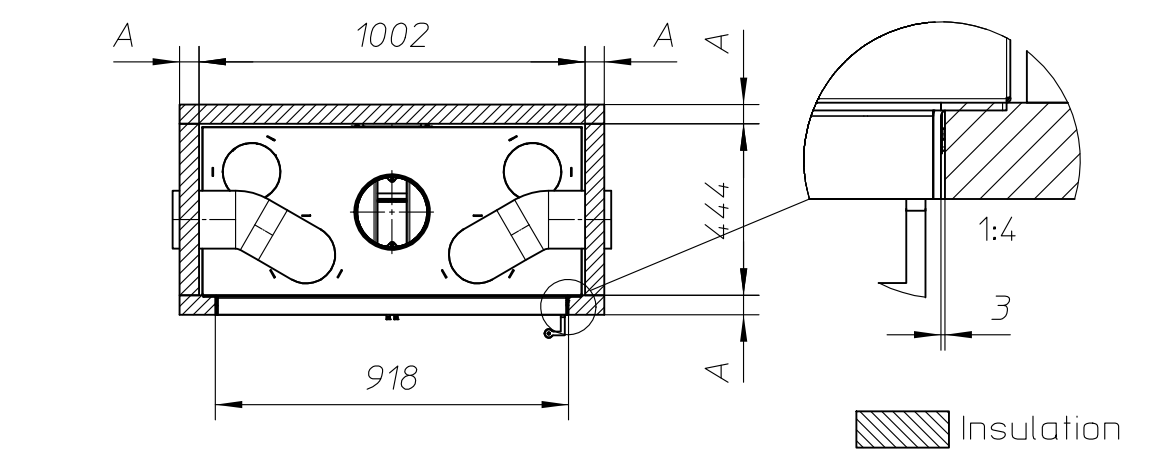
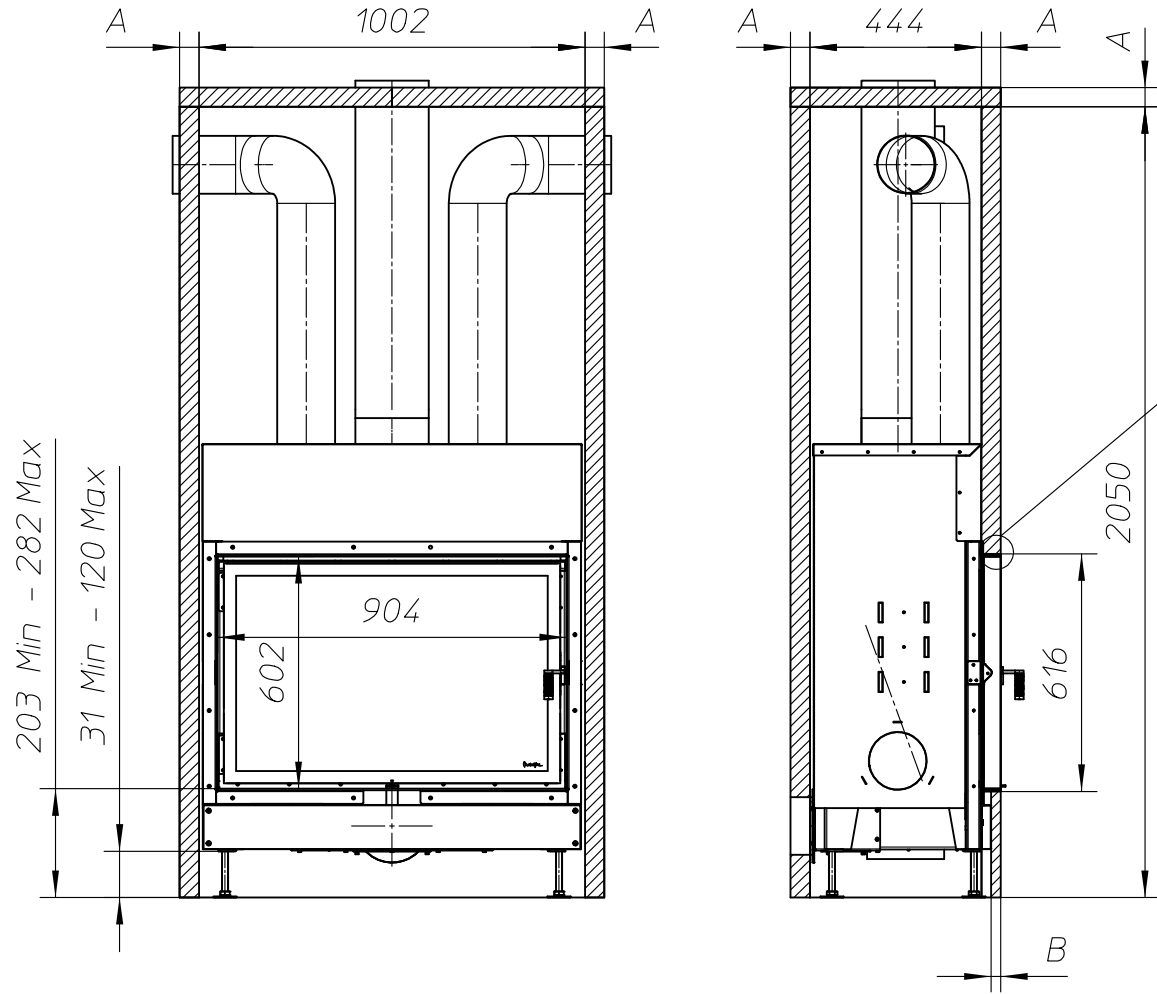


Fresh air inlet 1 x Ø150
 1 Connection on back or
 1 Connection on bottom

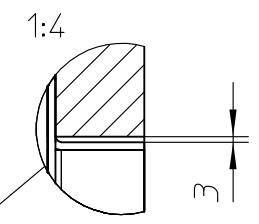


First aid and technical support:
 - support@metalfire.eu
 - +32 9 261 51 90

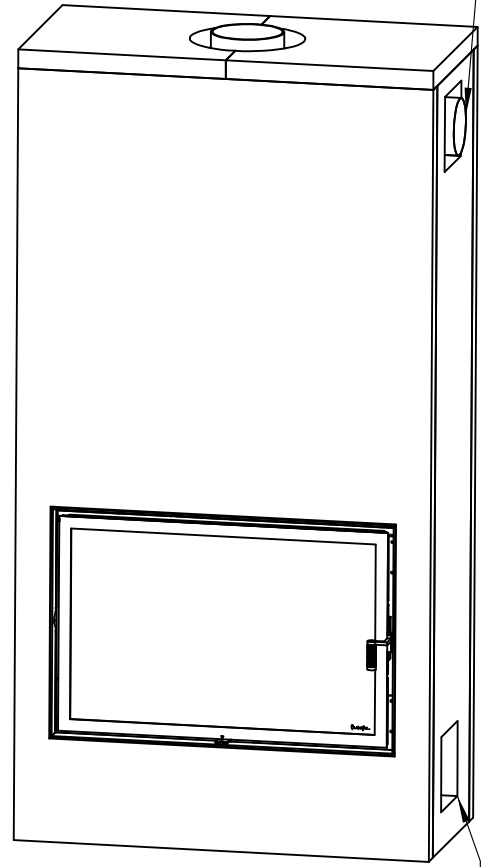
scale 1:20	Rev. D
www.metalfire.eu EN 13229	CE
General dimensional tolerances up to 6mm Metalfire preserves the right to modify specifications without previous notice	Sheet 1/3



WITHOUT FINISHING FRAME



Convection air outlet



Convection air inlet

 Insulation

OPTIMUM Convection

Metalfire

Technical Document

Optimum MF 900-60 WHE 1S C

Prescribed insulation thickness (mm) to

Combustable finishing material

Metalfire recommended SILCA T 300 (TC = 0,09 W/mK)	A = 50mm B = 25mm
--	----------------------

Non-combustable finishing material

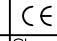
non-combustable materials structural building items EXCLUDED e.g. load bearing walls	A = 0mm B = 0mm
--	--------------------

TC = thermal conductivity NC = non-combustible

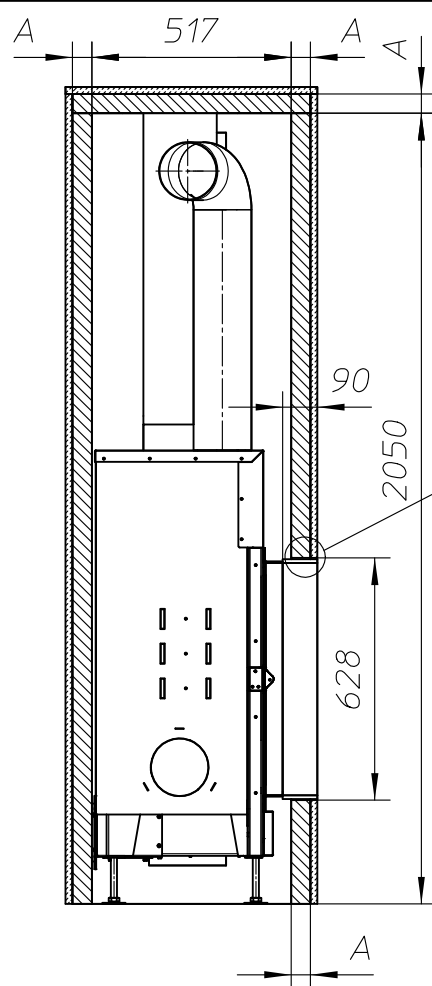
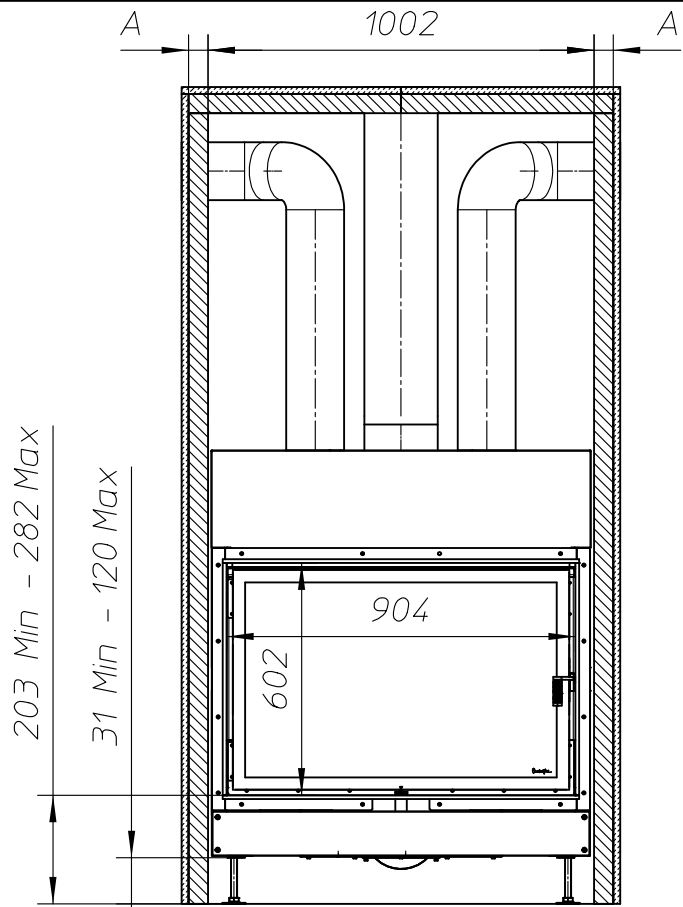
First aid and technical support:

- support@metalfire.eu
- +32 9 261 51 90

scale 1:20 Rev. D

www.metalfire.eu EN 13229 

General dimensional tolerances up to 6mm
Metalfire preserves the right to modify specifications without previous notice Sheet 2/3



WITH FINISHING FRAME 90/10

OPTIMUM Convection

Metalfire

Technical Document

Optimum MF 900-60 WHE 1S C

Prescribed insulation thickness (mm) to

Combustible finishing material

Metalfire recommended
SILCA T 300
(TC = 0,09 W/mK)

A = 50mm

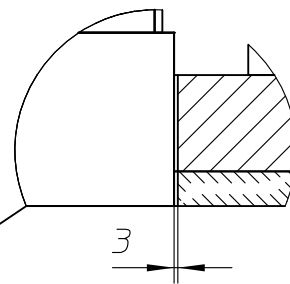
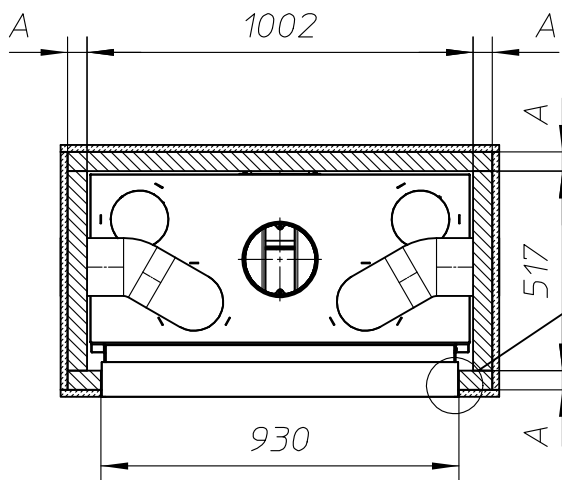
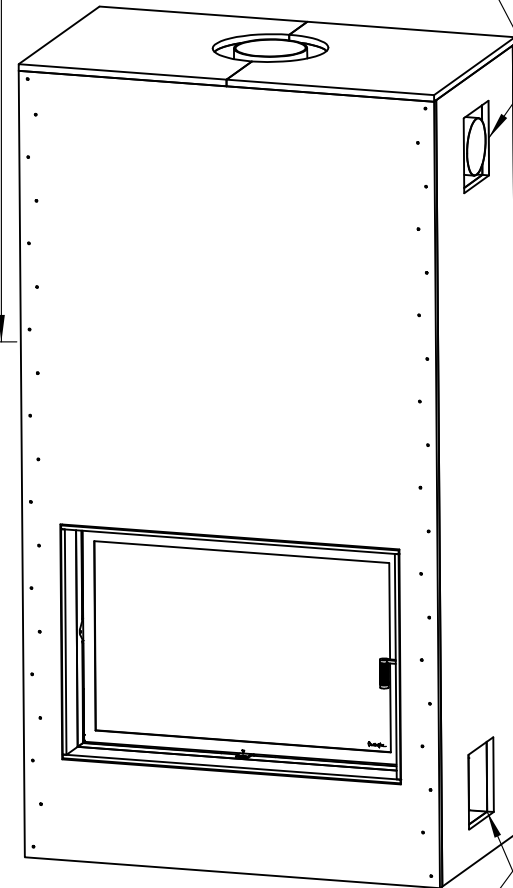
Non-combustable finishing material

non-combustable
materials
structural building items
EXCLUDED e.g. load bearing walls

A = 0mm

TC = thermal conductivity NC = non-combustable

Convection air outlet



 Insulation

 Combustible finish material

Convection air inlet

First aid and technical support:

- support@metalfire.eu

- +32 9 261 51 90

scale 1:20

Rev.
D

www.metalfire.eu EN 13229

CE

General dimensional tolerances up to 6mm
Metalfire preserves the right to modify specifications without previous notice

Sheet
3/3