

Technical Document

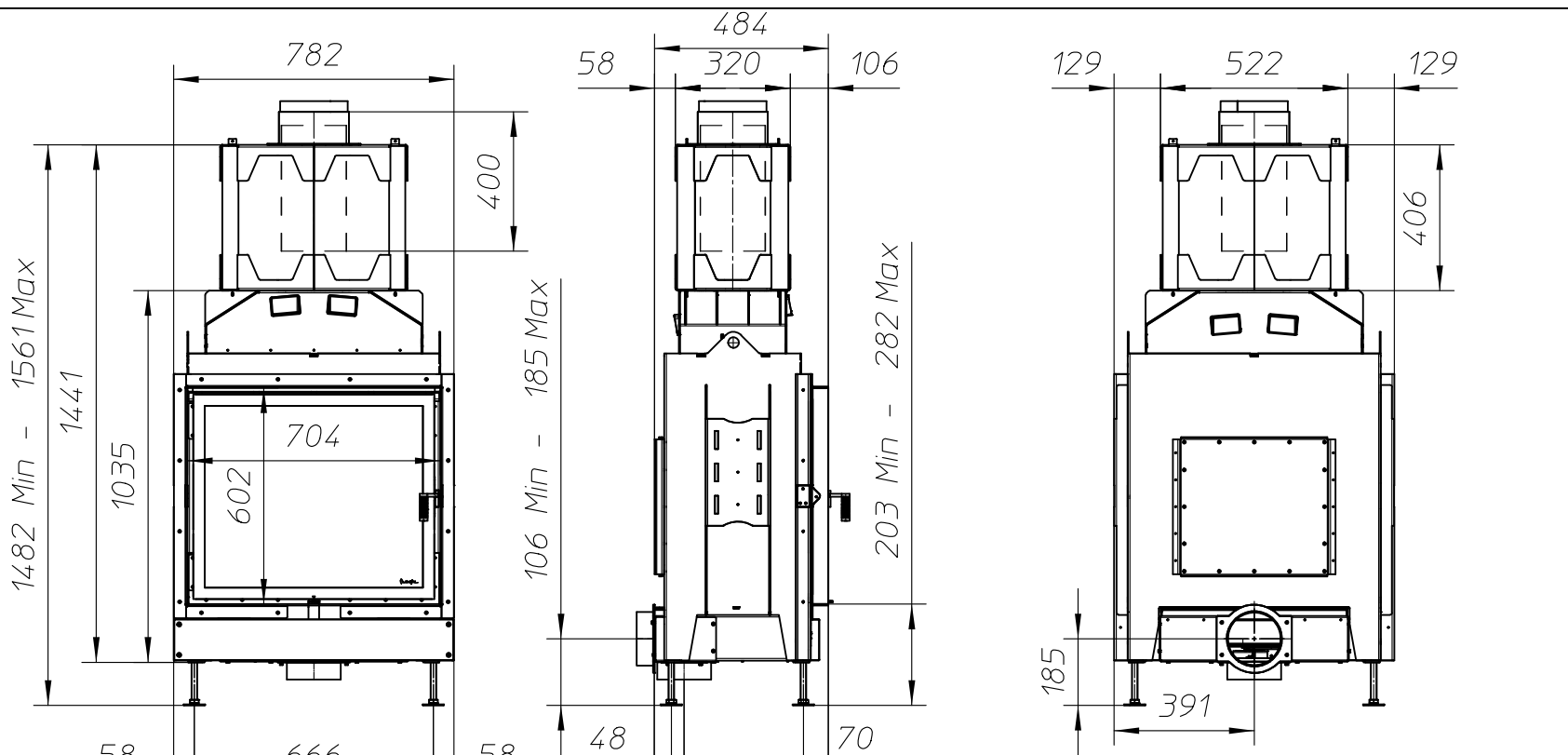
OPTIMUM MF 700-60 WHE 1S A

Dimensions (mm)

- combustion opening WxH: 704 x 602
- external WxDxH: 782 x 484 x 1561
- fresh air intake: 1 x Ø150
- flue gas outlet: Ø180 (Ø150)

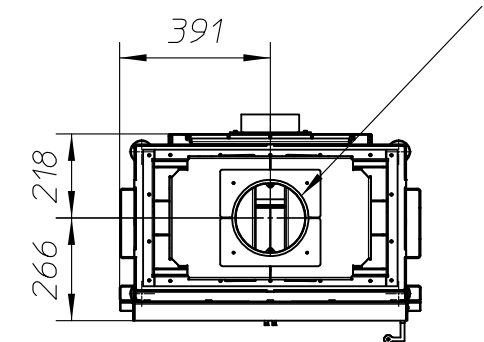
Technical Data

- ecolabel: A+
- capacity: 9.6kW
- efficiency: 84%
- CO (volume with 13%O₂): 0.06%
- dust (volume with 13%O₂): 20mg/Nm³
- weight: 160kg + (140Kg)
- convection air inlet: min.350cm² (2 x Ø150)
- convection air outlet: min.350cm² (2 x Ø150)

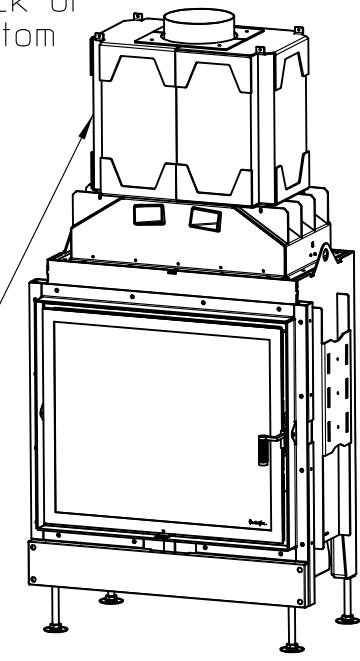


Fresh air inlet 1 x Ø150
1 connection on back or
1 connection on bottom

Flue gas outlet tube Ø180
With reducer a flue gas tube of Ø150 is possible



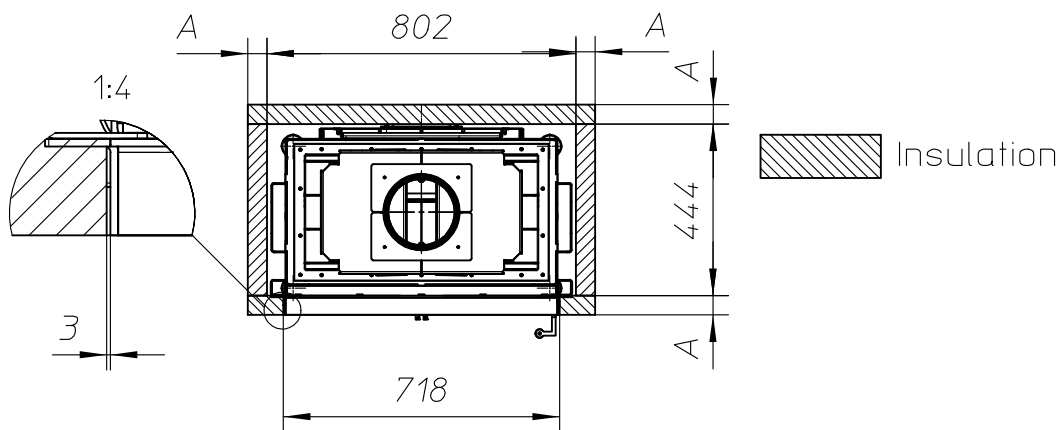
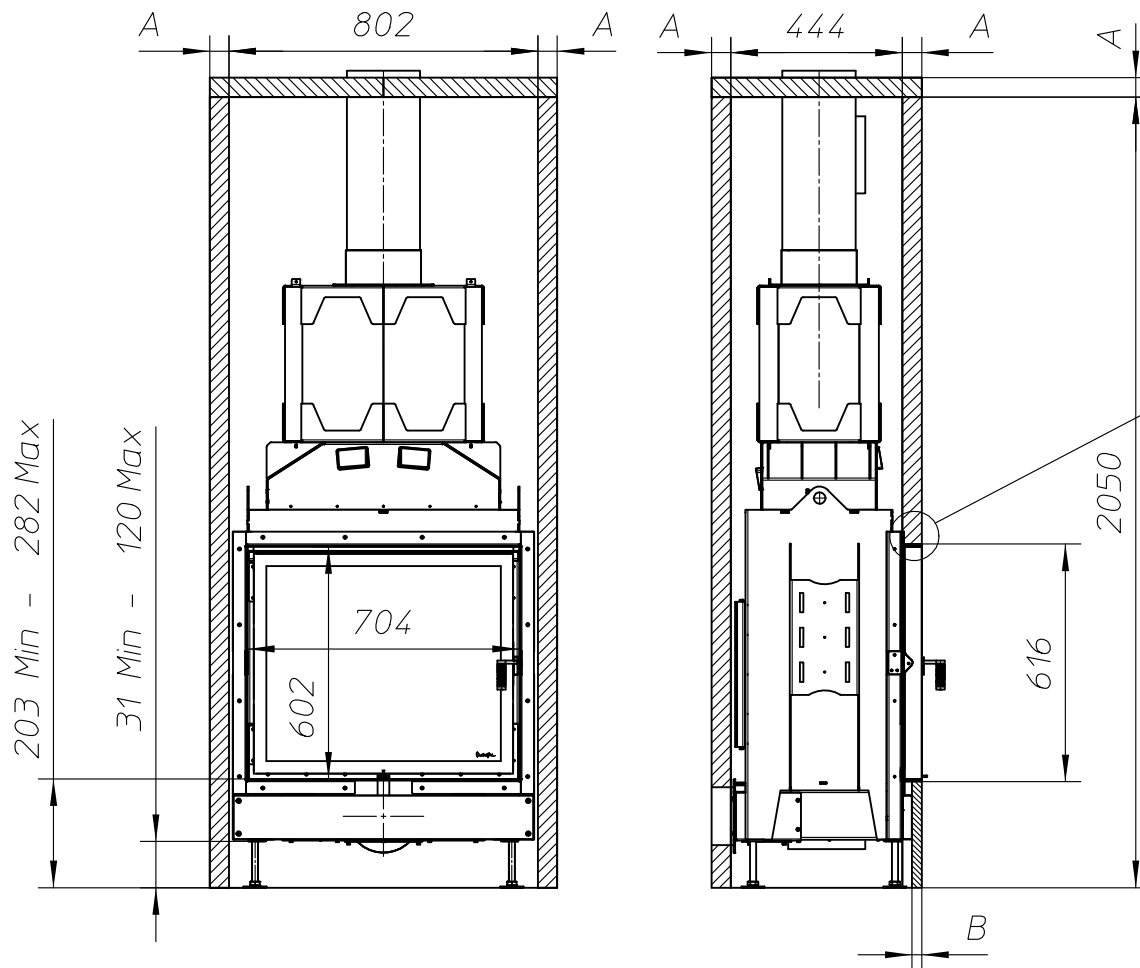
Refractory stones (10x)
for heat recuperation
(140Kg)



First aid and technical support:

- support@metalfire.eu
- +32 9 261 51 90

scale 1:20	Rev. D
www.metalfire.eu EN 13229	CE
General dimensional tolerances up to 6mm Metalfire preserves the right to modify specifications without previous notice	Sheet 1/3



WITHOUT FINISHING FRAME

OPTIMUM Accumulation

Metalfire

Technical Document

Optimum MF 700-60 WHE 1S A

Prescribed insulation thickness (mm) to

Combustable finishing material

Metalfire recommended
SILCA T 300
(TC = 0,09 W/mK)

A = 50mm

B = 25mm

Non-combustable finishing material

non-combustable
materials
structural building items
EXCLUDED e.g. load bearing walls

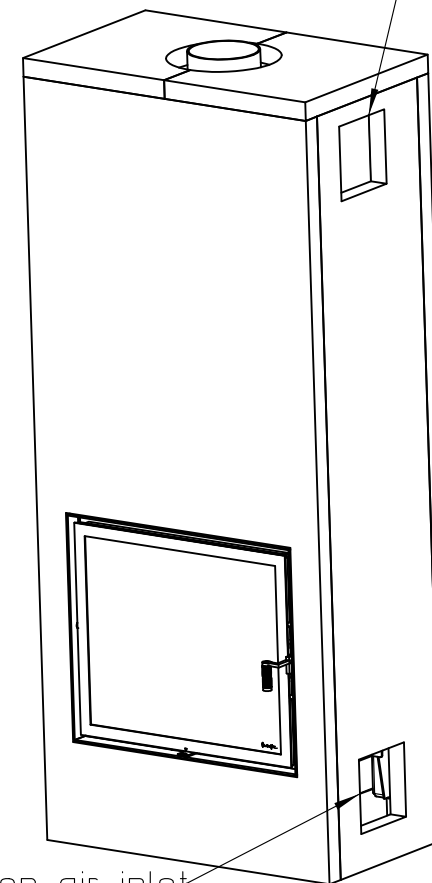
A = 0mm

B = 0mm

TC = thermal conductivity

NC = non-combustable

Convection air outlet



Convection air inlet

First aid and technical support:

- support@metalfire.eu

- +32 9 261 51 90

scale 1:20

Rev.
D

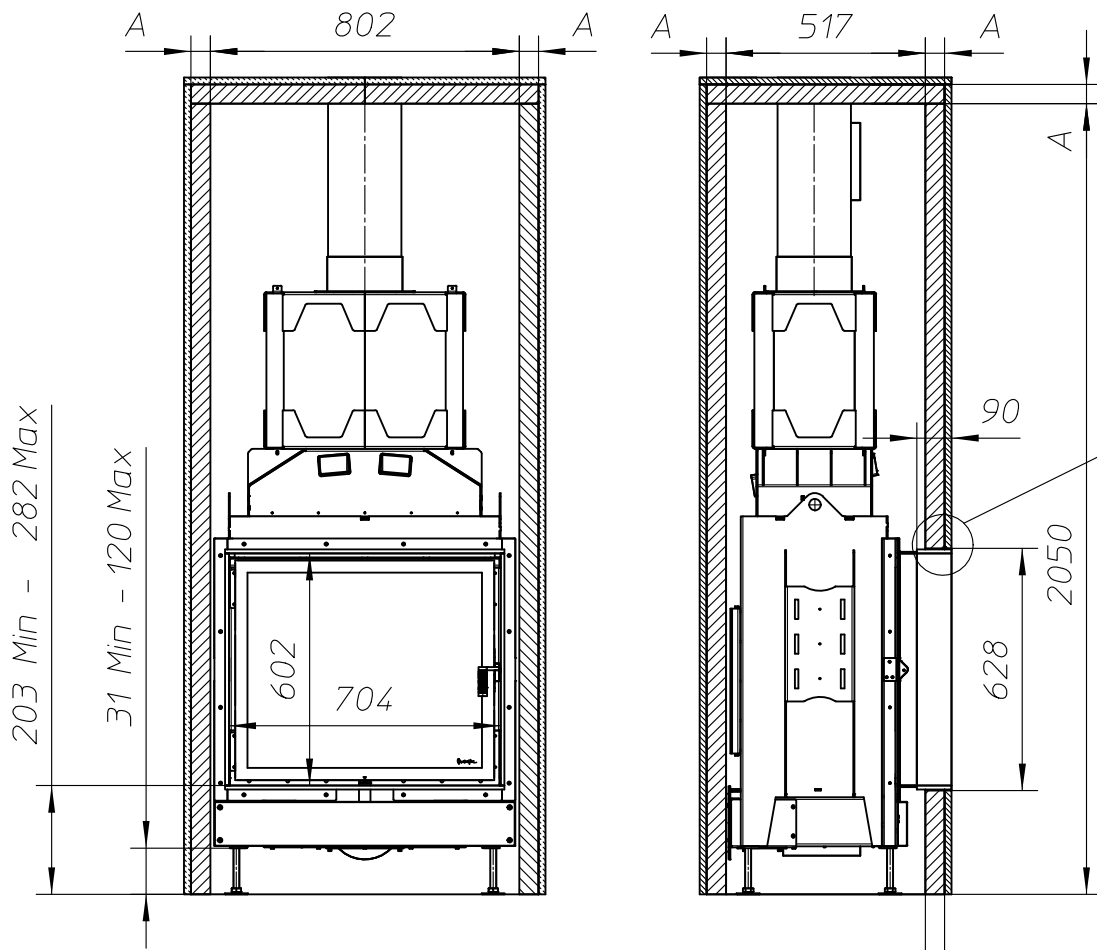
www.metalfire.eu

EN 13229

CE

General dimensional tolerances up to 6mm
Metalfire preserves the right to modify specifications without previous notice

Sheet
2/3



WITH FINISHING FRAME 90/10

OPTIMUM Accumulation

Metalfire

Technical Document

Optimum MF 700-60 WHE 1S A

Prescribed insulation thickness (mm) to

Combustible finishing material

Metalfire recommended
SILCA T 300
(TC = 0,09 W/mK)

A = 50mm

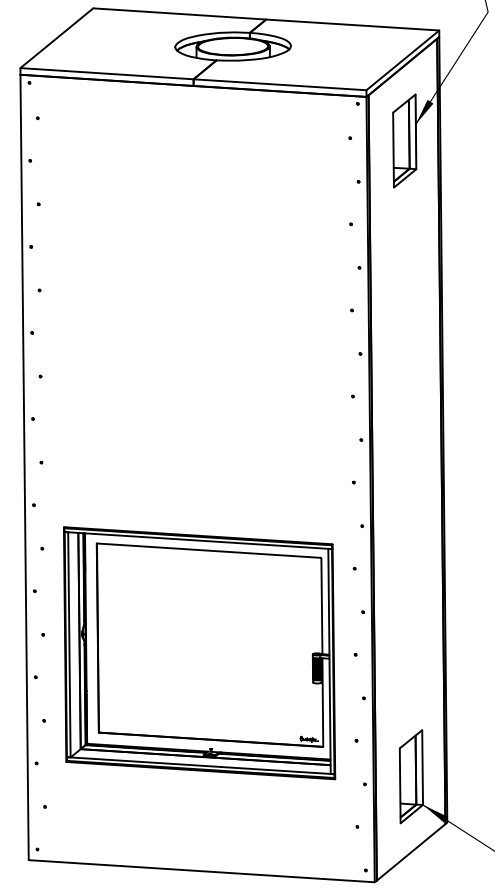
Non-combustible finishing material

non-combustible
materials
structural building items
EXCLUDED e.g. load bearing walls

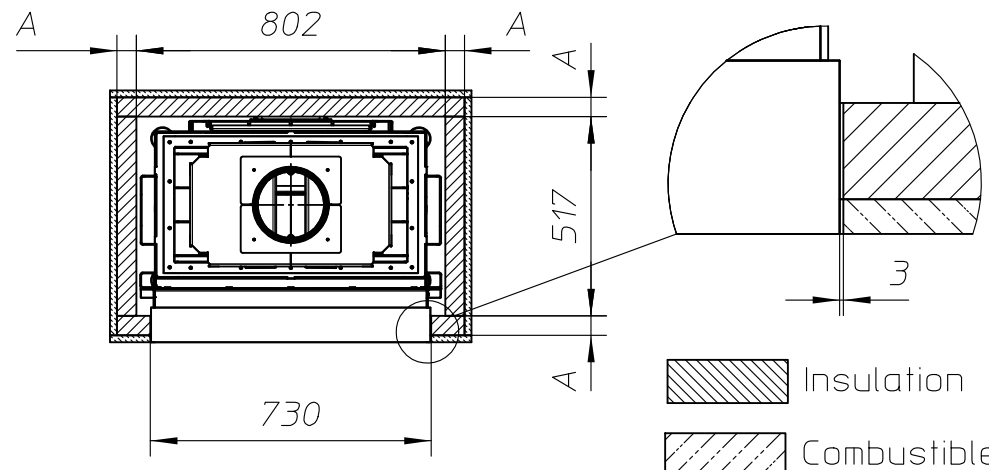
A = 0mm

TC = thermal conductivity NC = non-combustible

Convection air outlet



Convection air inlet



Insulation

Combustible finish material

First aid and technical support:

- support@metalfire.eu
- +32 9 261 51 90

scale 1:20

www.metalfire.eu EN 13229

General dimensional tolerances up to 6mm
Metalfire preserves the right to modify specifications without previous notice

Rev.
D

CE

Sheet
3/3