

AVENUE Patented

metalfire

Technical Document

AVENUE MF 900-60 GHE T

Dimensions (mm)

- combustion opening WxDH: 900x590
- external WxDxH: 1073x488x1010
- diameter flue:  $\phi 130/200$  or  $(*) \phi 100/150$

TECHNICAL DATA

- Gascat: I2E+, I2E, I2H, I2L, I2ELL
- ECOLABEL: B
- load input: 9,90 kW
- load output: 8,35 kW
- efficiency capacity: 84,0 %
- type of gas/pressure: G20/G25

- Gascat: I3B/P, I3+
- ECOLABEL: B
- load input: 8,60 kW
- load output: 7,40 kW
- efficiency capacity: 86,1 %
- type of gas/pressure: G30/G31

- Appliance type: C11,C31,C91  
C12,C32,C42,C52,C82
- Weight: 100 kg
- Convection air inlet: min350cm<sup>2</sup> (2x $\phi 150$ )
- Convection air outlet: min350cm<sup>2</sup> (2x $\phi 150$ )

SPECIFICATIONS

- Only available with ceramics wood logs
- Ionization-protected pilot-flame
- Radiographic remote controle with thermostatic mode
- Inside finishing: heat-resistant black paint
- Gas/electrical connections at the left side (optional right side)

OPTIONS

- interior finishing: ORIGINAL (ribbed cast iron)
- Standard (steel)

First aid and technical support:

- support@metalfire.eu
- +32 (0)9 261 50 57

scale 1:20	Rev.
www.metalfire.eu	EN 613 CE
General dimensional tolerances up to 6mm Metalfire preserves the right to modify specifications without previous notice	Sheet 1/3

WITHOUT FINISHING FRAME

AVENUE Patented

metalfire

Technical Document

AVENUE MF 900-60 GHE T

Prescribed insulation thickness (mm)

Combustable finishing material

Metalfire recommended  
Promasil 1100L  
(TC=0,081 W/mK)

A = 25mm

Non-combustable finishing material

non-combustable  
materials  
structural building items  
EXCLUDED e.g load bearing walls

A = 0mm

TC-thermot conductivity

TC-non-combustable

Table: AVENUE MF 900-60 GHE T

Installation dimensions (mm)

P	Q	R	S	T	Z
900	590	1099	926	616	NA

First aid and technical support:  
- support@metalfire.eu  
- +32 (0)9 261 50 57

scale 1:20

Rev.

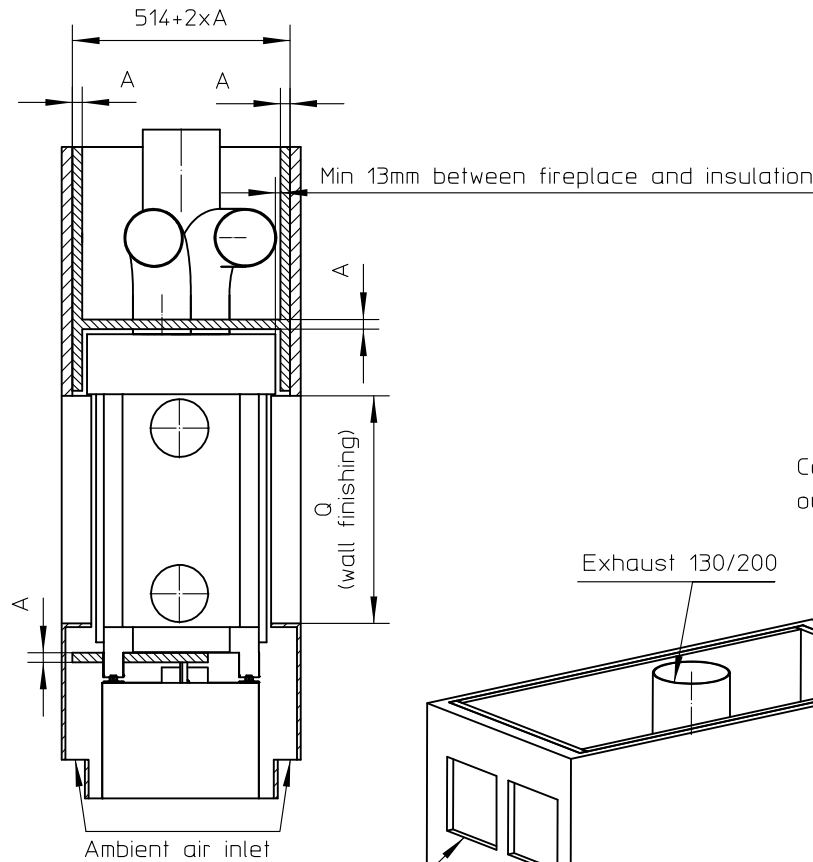
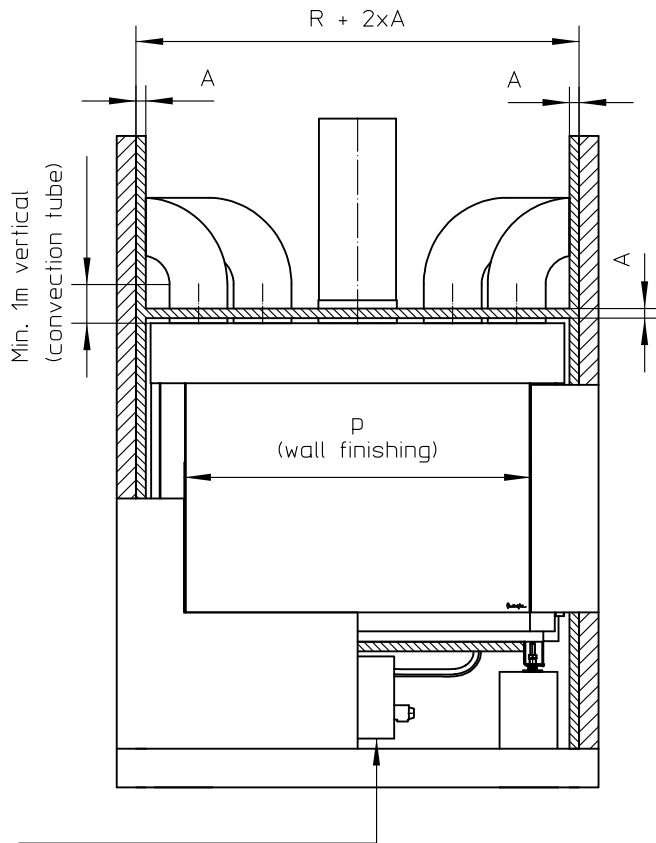
www.metalfire.eu

EN 613

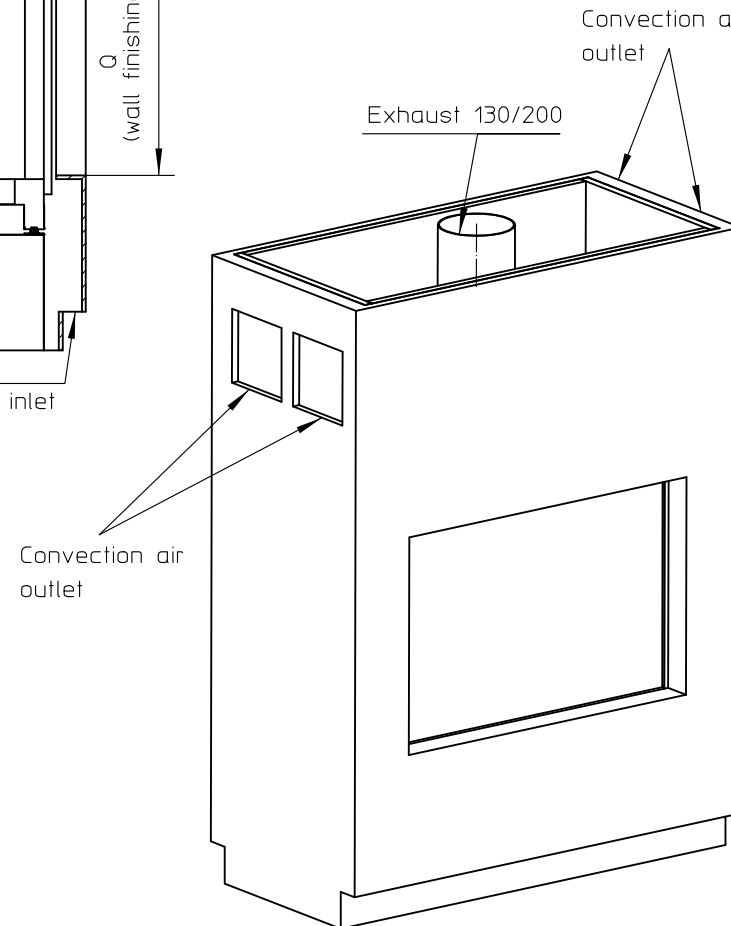
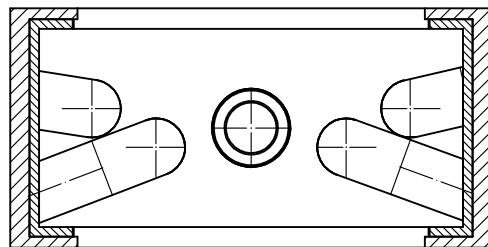
CE

General dimensional tolerances up to 6mm  
Metalfire preserves the right to modify specifications without previous notice

Sheet  
2/3



Electrical/gas controle unit  
Standard connected with 1m flexible tube.  
Optional: connected on right side and/or with an additional 1m tube(AT ORDER)  
FORESEE ENOUGH AIR FLOW FOR COOLING



▨ Combustable finishing material

▨ Insulation

Insulation thickness = > see table

WITH FINISHING FRAME 90/10

AVENUE Patented

metalfire

Technical Document

AVENUE MF 900-60 GHE T

Prescribed insulation thickness (mm)

Combustable finishing material

Metalfire recommended  
Promasil 1100L  
(TC=0,081 W/mK)

A = 25mm

Non-combustable finishing material

non-combustable  
materials  
structural building items  
EXCLUDED e.g load bearing walls

A = 0mm

TC-thermot conductivity

TC-non-combustable

Table: AVENUE MF 900-60 GHE T

Installation dimensions (mm)

P	Q	R	S	T	Z
900	590	1099	926	616	NA

First aid and technical support:  
- support@metalfire.eu  
- +32 (0)9 261 50 57

scale 1:20

www.metalfire.eu

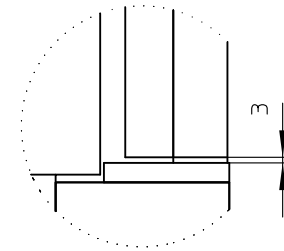
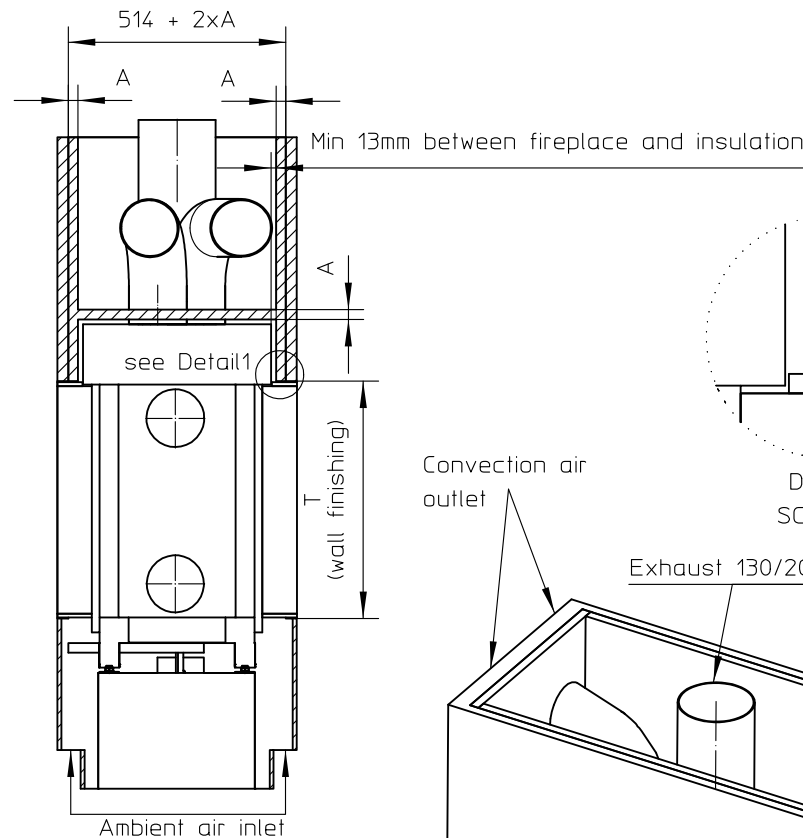
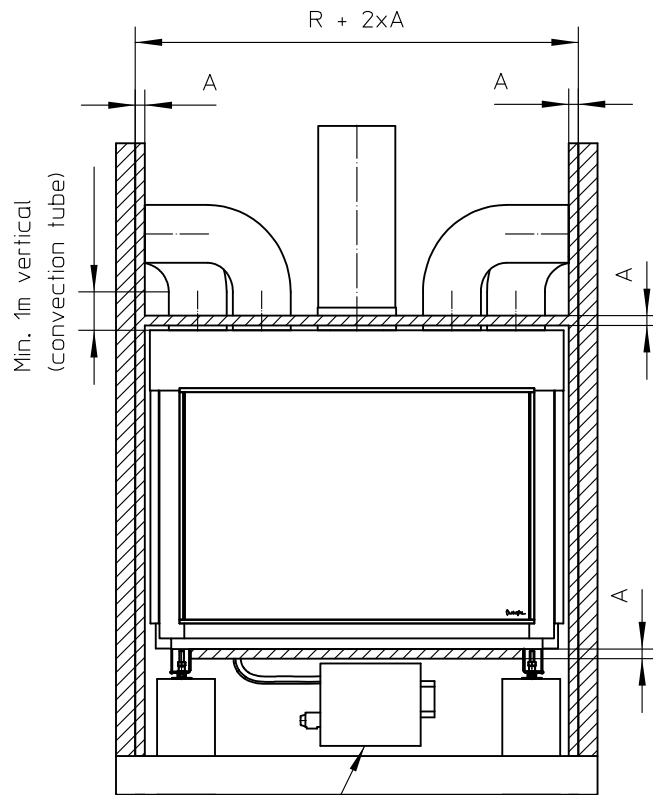
EN 613

Rev.

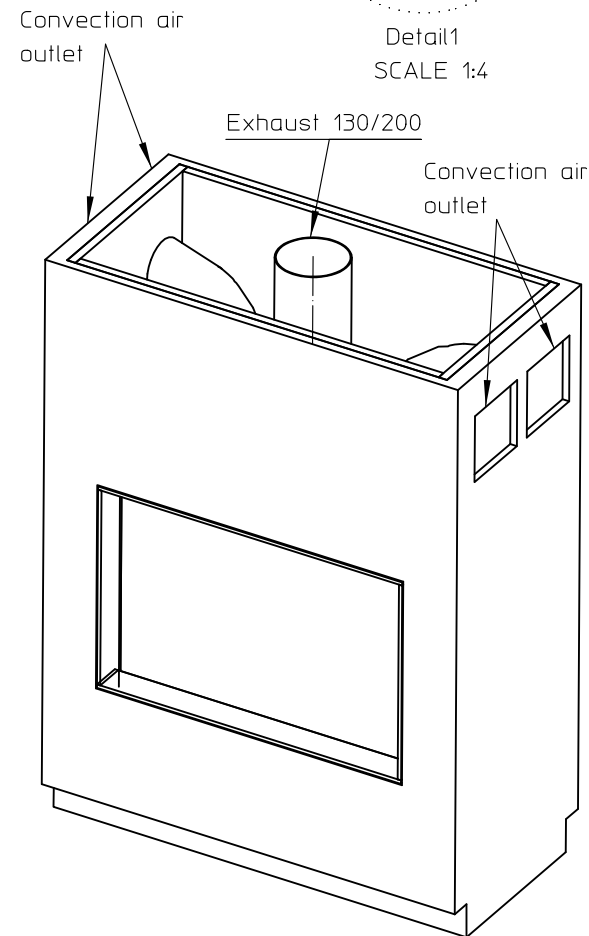
CE

General dimensional tolerances up to 6mm  
Metalfire preserves the right to modify specifications without previous notice

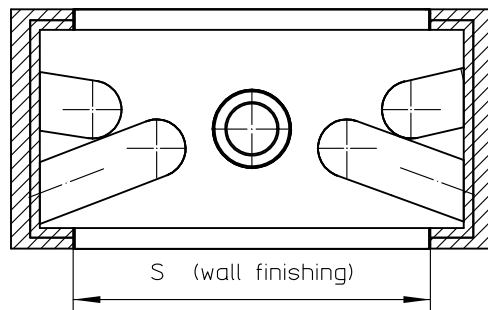
Sheet  
3/3



Detail1  
SCALE 1:4



Electrical/gas control unit  
Standard connected with 1m flexible tube.  
Optional: connected on right side and/or with an additional 1m tube(AT ORDER)  
FORESEE ENOUGH AIR FLOW FOR COOLING



Combustable finishing material

Insulation

Insulation thickness = > see table