

Scale 1:30

UNIQUE Patented

metalfire

Technical Document

Model: AVENUE L MF 1300-95 GHE 1S

Dimensions (mm)

- combustion opening WxH: 1300 x 950
- glass door WxH: 1300 x 980
- length of burner : 560
- external WxDxH: 1485 x 1580 x 625
- diameter flue: $\phi 130/\phi 200$ or (*) $\phi 100/\phi 150$

Technical Data

- appliance type: C11/C31/C91
- load: 14 kW
- efficiency capacity: 80%
- type of gas/pressure: G20/G25 20/25mBar
- gascat: I2E+, I2H, I2E, I2L
- weight: 180kg
- Air intake to convection : minimum 700 cm² (4x $\phi 180$)
- Air exhaust from convection : minimum 700 cm² (4x $\phi 180$)

Specifications

- only available with ceramic wood logs
- ionization-protected pilot-flame
- control unit in the middle, below the combustion chamber
- radiographic remote control with thermostatic mode
- inside finishing: heat-resistant black paint
- fan for convection air
- gas/electrical connections at the left side

Options

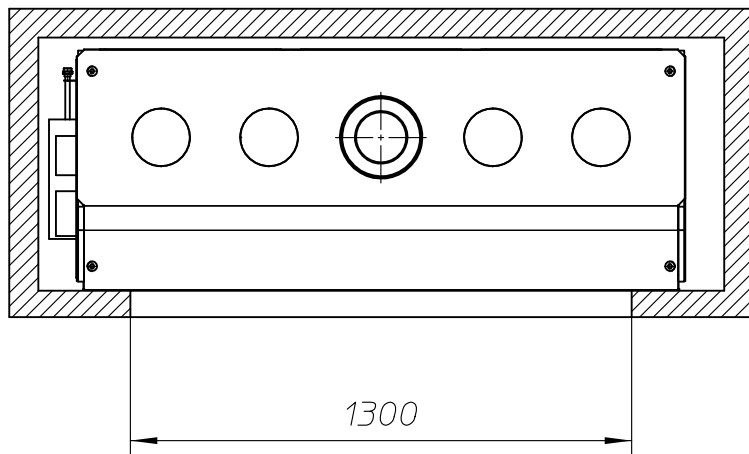
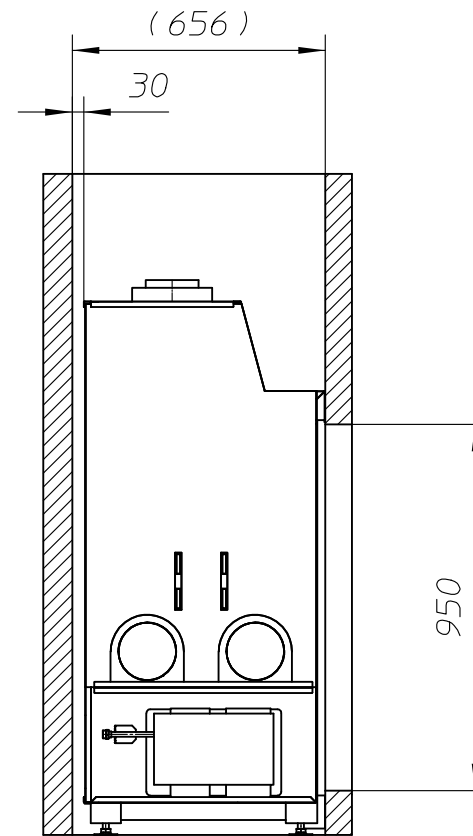
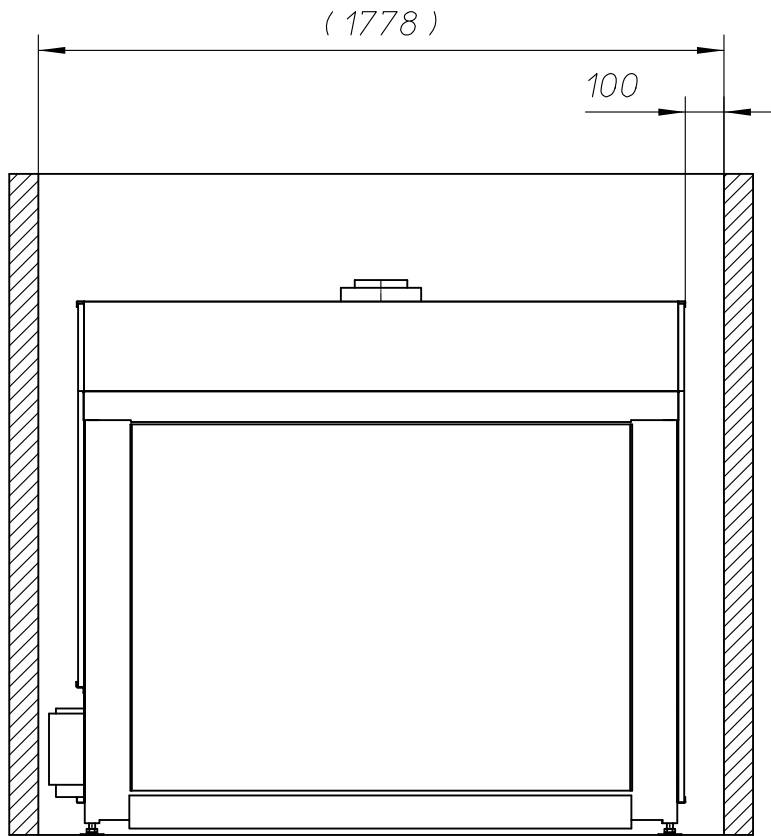
- promat insulation kit
- interior finishing: ORIGINAL (ribbed cast iron)

First aid and technical support:

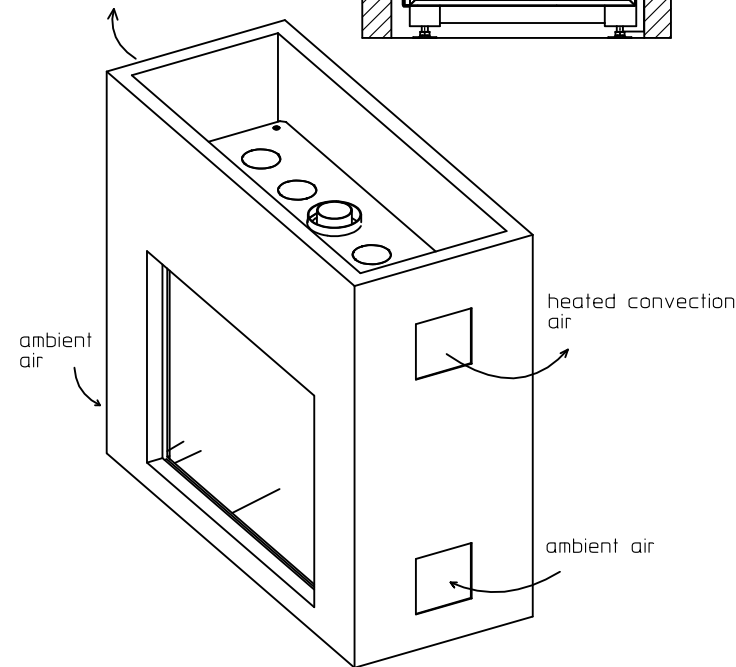
- support@metalfire.eu
- +32 (0)9 261 50 57

scale 1:20	Rev. B
www.metalfire.eu	EN 613
General dimensional tolerances up to 6mm Metalfire preserves the right to modify specifications without previous notice	Sheet 1/3

Without finishing frame



heated convection air



UNIQUE Patented

metalfire

Technical Document

Model: AVENUE L MF 1300-95 GHE 1S

Dimensions (mm)

- combustion opening WxH: 1300 x 950
- glass door WxH: 1300 x 980
- length of burner : 560
- external WxDxH: 1485 x 1580 x 625
- diameter flue: $\varnothing 130/\varnothing 200$ or $(*) \varnothing 100/\varnothing 150$

Technical Data

- appliance type: C11/C31/C91
- load: 14 kW
- efficiency capacity: 80%
- type of gas/pressure: G20/G25 20/25mBar
- gascat: I2E+, I2H, I2E, I2L
- weight: 180kg
- Air intake to convection : minimum $700 \text{ cm}^2 (4 \times \varnothing 180)$
- Air exhaust from convection : minimum $700 \text{ cm}^2 (4 \times \varnothing 180)$

Specifications

- only available with ceramic wood logs
- ionization-protected pilot-flame
- control unit in the middle, below the combustion chamber
- radiographic remote control with thermostatic mode
- inside finishing: heat-resistant black paint
- fan for convection air
- gas/electrical connections at the left side

Options

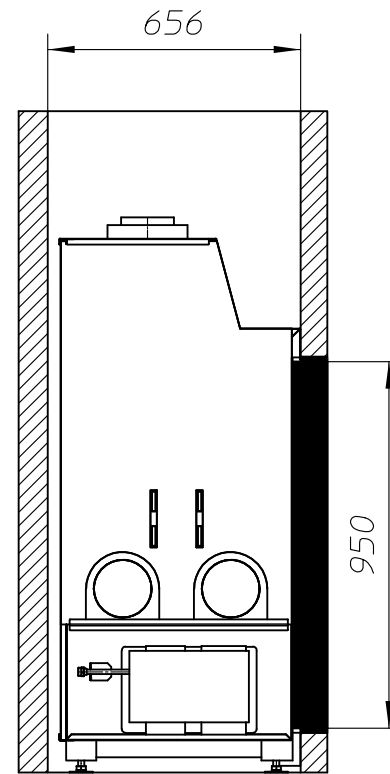
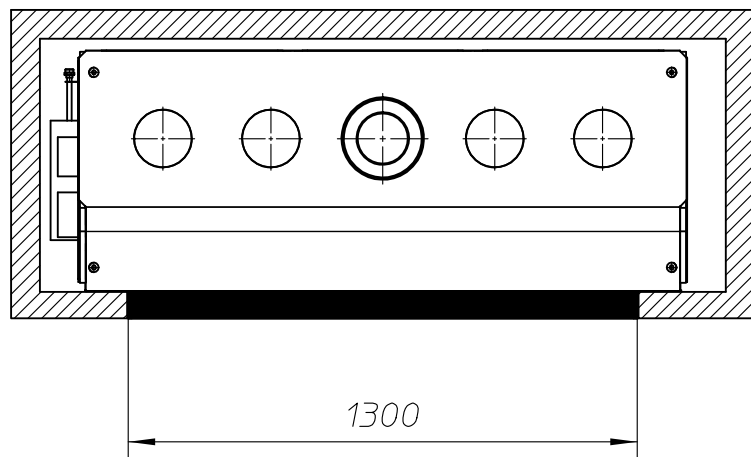
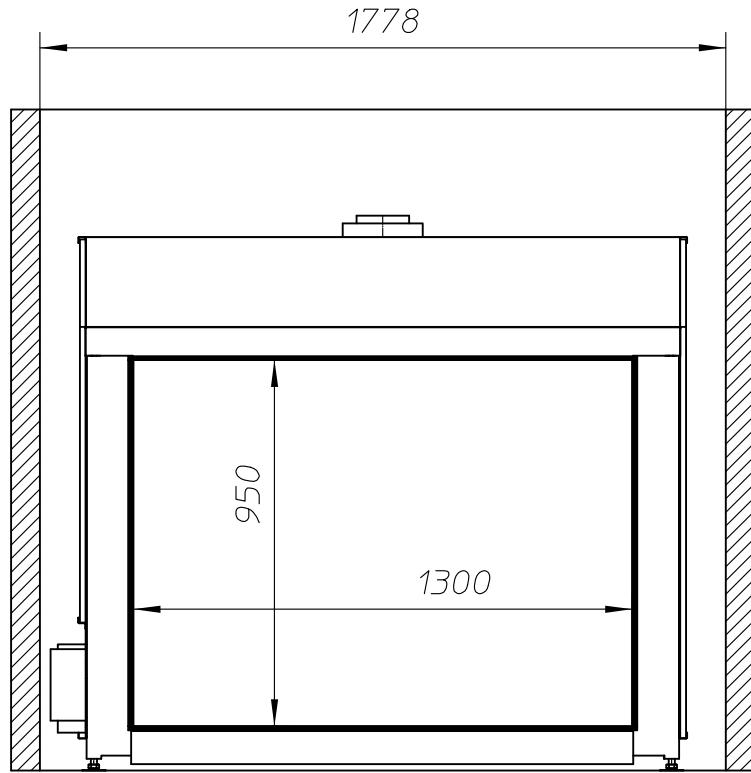
- promat insulation kit
- interior finishing: ORIGINAL (ribbed cast iron)

First aid and technical support:

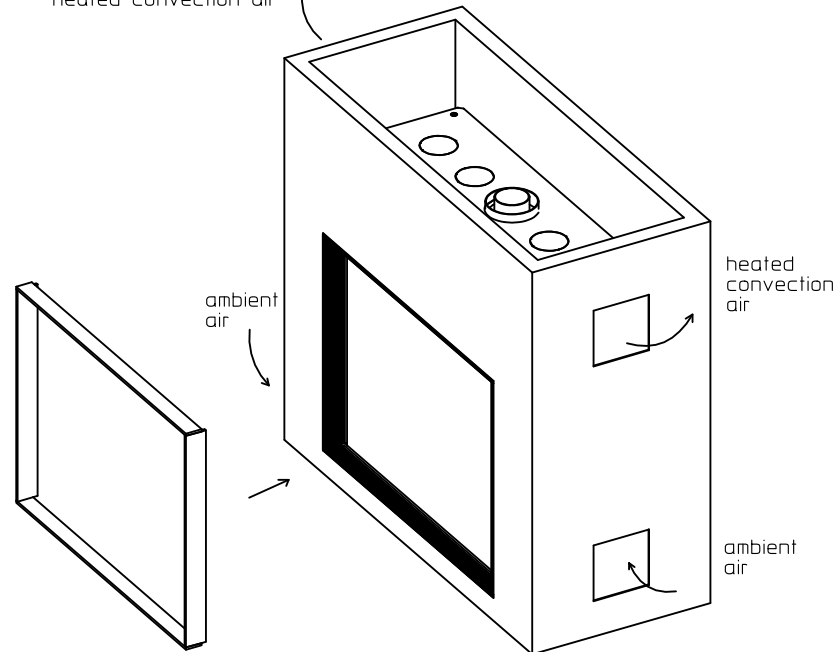
- support@metalfire.eu
- +32 (0)9 261 50 57

scale 1:20	Rev. B
www.metalfire.eu	EN 613
General dimensional tolerances up to 6mm Metalfire preserves the right to modify specifications without previous notice	Sheet 2/3

With optional finishing frame 90/10



heated convection air



UNIQUE Patented

metalfire

Technical Document

Model: AVENUE L MF 1300-95 GHE 1S

Dimensions (mm)

- combustion opening WxH: 1300 x 950
- glass door WxH: 1300 x 980
- length of burner : 560
- external WxDxH: 1485 x 1580 x 625
- diameter flue: $\phi 130/\phi 200$ or $(*) \phi 100/\phi 150$

Technical Data

- appliance type: C11/C31/C91
- load: 14 kW
- efficiency capacity: 80%
- type of gas/pressure: G20/G25 20/25mBar
- gascat: I2E+, I2H, I2E, I2L
- weight: 180kg
- Air intake to convection : minimum $700 \text{ cm}^2 (4 \times \phi 180)$
- Air exhaust from convection : minimum $700 \text{ cm}^2 (4 \times \phi 180)$

Specifications

- only available with ceramic wood logs
- ionization-protected pilot-flame
- control unit in the middle, below the combustion chamber
- radiographic remote control with thermostatic mode
- inside finishing: heat-resistant black paint
- fan for convection air
- gas/electrical connections at the left side

Options

- promat insulation kit
- interior finishing: ORIGINAL (ribbed cast iron)

First aid and technical support:

- support@metalfire.eu
- +32 (0)9 261 50 57

scale 1:20	Rev. B
www.metalfire.eu	EN 613
General dimensional tolerances up to 6mm Metalfire preserves the right to modify specifications without previous notice	Sheet 3/3